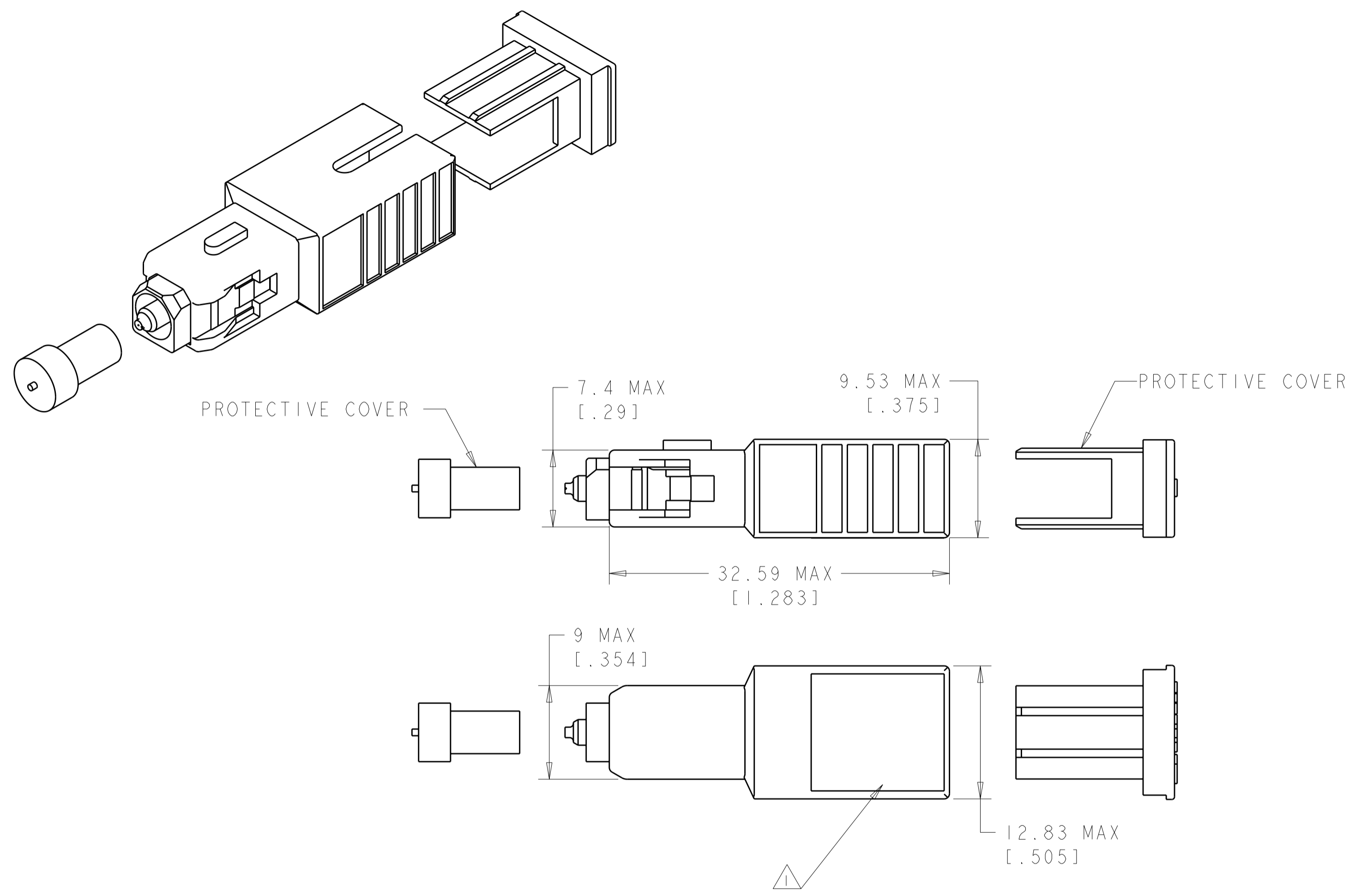


THIS DRAWING IS UNPUBLISHED. RELEASED FOR PUBLICATION 20
 © COPYRIGHT 20 ALL RIGHTS RESERVED.

LOC	DIST	REVISIONS			
P	LTR	DESCRIPTION	DATE	DWN	APVD
HG	-	B	ECR-06-019788	24AUG2006	EJH SB
		BI	REV PER ECR-11-006927	08APR2011	DCH CT



NOMINAL ATTENUATION VALUE (dB)	PART NUMBER
1	5209597-1
2	5209597-2
3	5209597-3
4	5209597-4
5	5209597-5
6	5209597-6
9	5209597-9
10	1-5209597-0
12	1-5209597-2
15	1-5209597-5
18	1-5209597-8
20	2-5209597-0
25	2-5209597-5
30	3-5209597-0

△ TE CONNECTIVITY LOGO, ATTENUATION VALUE, PART NUMBER, AND SERIAL NUMBER ARE PRINTED ON THE LABEL.

PERFORMANCE REQUIREMENTS:
 OPERATING WAVELENGTH : 1310/1550 ±25nm
 REFLECTANCE : ≤ -65dB
 OPERATING TEMPERATURE : -40°C TO +75°C
 ATTENUATION TOLERANCE, AMBIENT :
 FOR ATTENUATORS ≥ 5dB : ±10% OF NOMINAL ATTENUATION VALUE
 FOR ATTENUATORS < 5dB : ± 0.50dB
 MEASURED WITH REFERENCE QUALITY LAUNCH LEADS

THIS DRAWING IS A CONTROLLED DOCUMENT.		DWN E. HOPKINS 05DEC2005	TE Connectivity	
DIMENSIONS: mm [INCHES]		CHK E. HOPKINS 05DEC2005		
TOLERANCES UNLESS OTHERWISE SPECIFIED:		APVD S. BUCHTER 05DEC2005	NAME ATTENUATOR, OPTICAL, BUILDOUT SC/APC 8 DEGREE, SM, DUAL WINDOW	
0 PLC ± 1 PLC ± 2 PLC ± 3 PLC ± 4 PLC ± ANGLES ± FINISH -		PRODUCT SPEC -	SIZE A2	CAGE CODE C-5209597
MATERIAL -		APPLICATION SPEC -	RESTRICTED TO -	
		WEIGHT -	CUSTOMER DRAWING SCALE 4:1 SHEET 1 OF 1 REV BI	