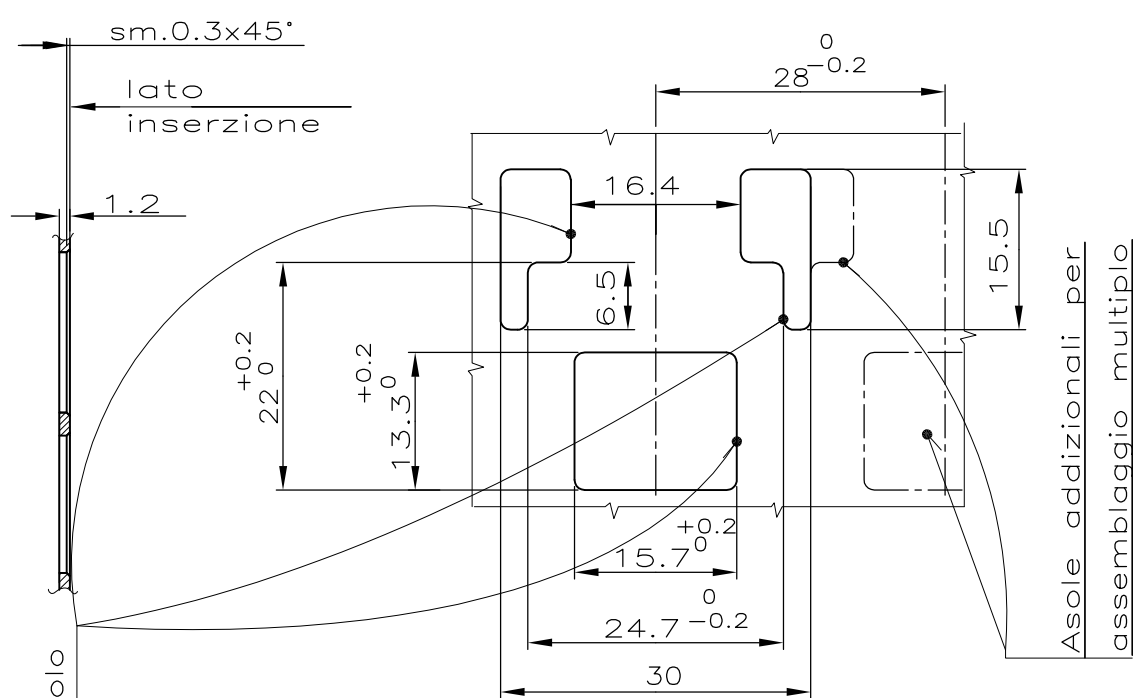


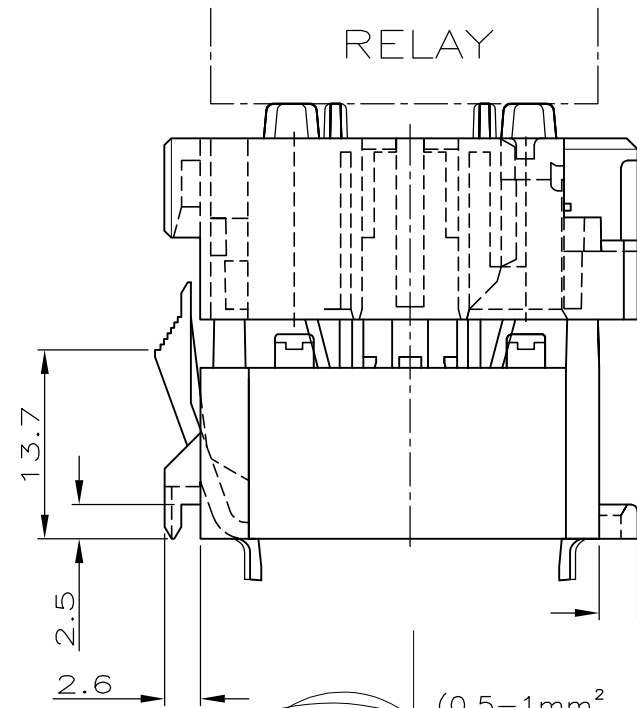
THIS DRAWING IS UNPUBLISHED. RELEASED FOR PUBLICATION
 © COPYRIGHT - By - ALL RIGHTS RESERVED.

METRIC

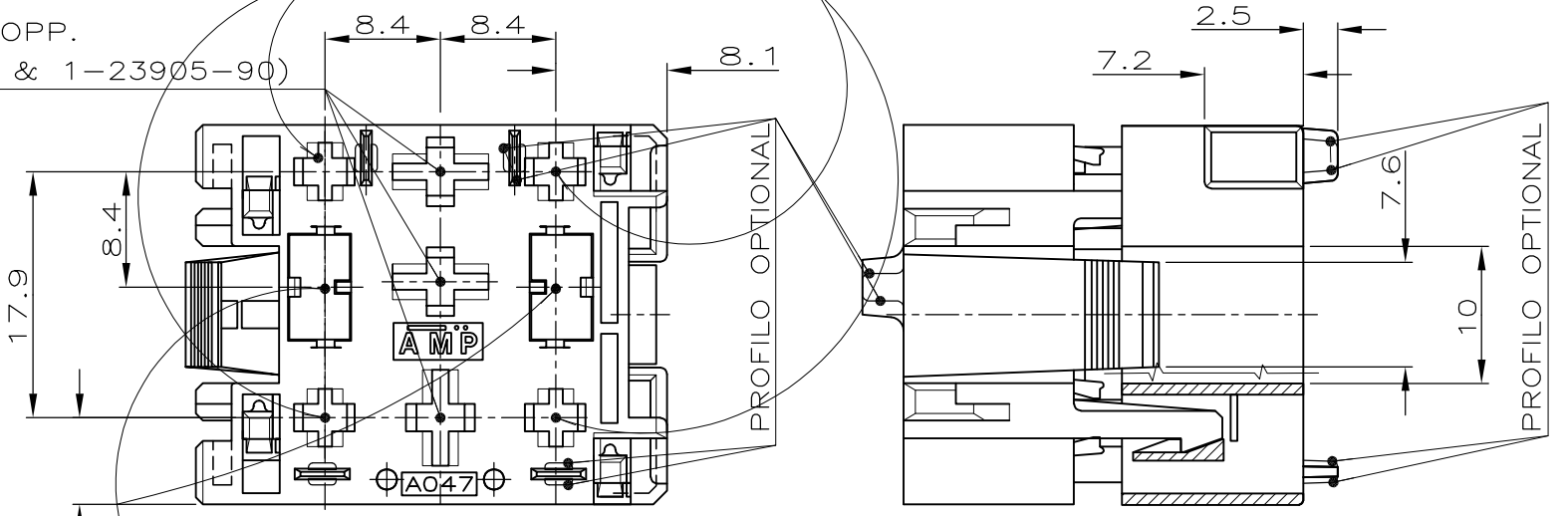
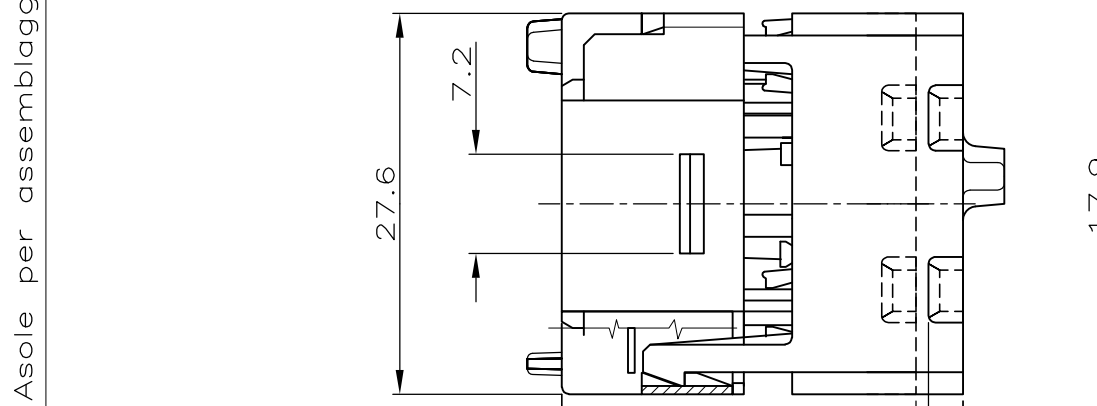
LOC		DIST		REVISIONS			
P	LTR	DESCRIPTION	DATE	DWN	APVD		
C2		REVISED PER ECO-11-005033	30MAR11	RK	HMR		
		ROSA (PINK)				△	1-282435-1
		ARANCIO (ORANGE)				△	1-282435-0
		VIOLA (VIOLET)					282435-9
		GRIGIO (GREY)					282435-8
		MARRONE (BROWN)					282435-7
		GIALLO (YELLOW)					282435-6
		BLU (BLUE)					282435-5
		VERDE (GREEN)					282435-4
		ROSSO (RED)					282435-3
		NERO (BLACK)					282435-2
		NATURALE (CLEAR)					282435-1
		FINITURA / COLORE (FINISH / COLOUR)					
		MATERIALE (MATERIAL)					



N.3 CAVITA' ADATTE PER TERMINALI
 "AMP STANDARD POWER TIMER" P/N 927831-2 (0.5-1mm²) OPP.
 P/N 927837-2 (1-2.5mm²) (EQUIVAL. N.FIAT 1-23903-90 & 1-23905-90)

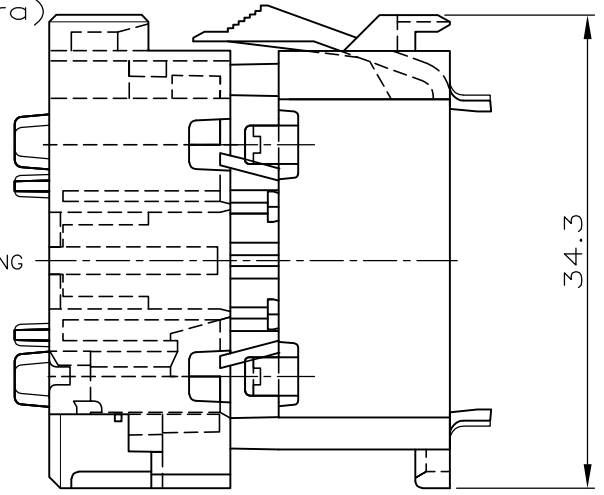


N.4 CAVITA' ADATTE PER TERMINALI
 "AMP JUNIOR POWER TIMER" P/N: 927771-3
 (0.5-1mm² CAVO ISOL.RIDOTTO) (EQUIVAL. N.FIAT 1-23085-90)



N.2 CAVITA' ADATTE PER TERMINALI
 "AMP POSITIVE LOCK MKI" P/N 160759-3(0.5-1.5 mm²)
 OPP. P/N 154717-3 (2.5-4.0mm²) EQUIVALENTE N.FIAT
 1-23364-44 & 1-23363-44; E TERMINALI AMP P/N 282167
 PER ISOL. RIDOTTO (0.5-1.5mm²)

1 OBSOLETE PARTS: OBSOLETE CIS STREAMLINING PER D.RENAUD/D.SINISI



CUSTOMER DWG. FOR REFERENCE ONLY		DISEGNO PER CLIENTE SOLO PER RIFERIMENTO		FINITURA / COLORE (FINISH / COLOUR)	MATERIALE (MATERIAL)	NUMERO (PART NUMBER)
THIS DRAWING IS A CONTROLLED DOCUMENT.		DWN	10 JULY 1992	TE Connectivity		
		CHK	16 OCT.1992			
		APVD	-	NAME		
		PRODUCT SPEC	-	9 POSITION RELAY HSG.WITH SEC.LOCK		
		APPLICATION SPEC	-			
		WEIGHT	-	SIZE	CAGE CODE	DRAWING NO
		CUSTOMER DRAWING		A3	00779	C=282435
		SCALE		2:1	SHEET	1 OF 1
		REV		C2		