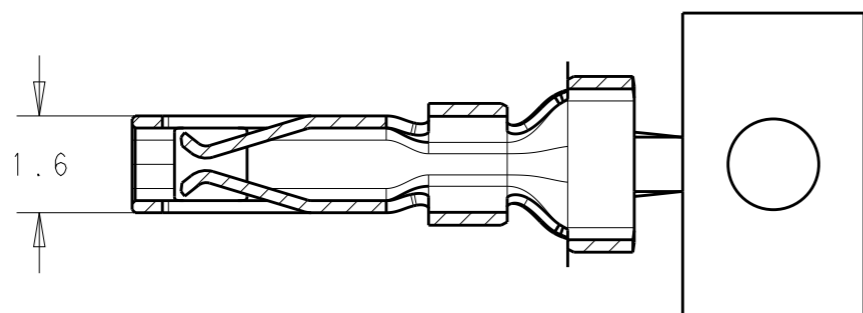
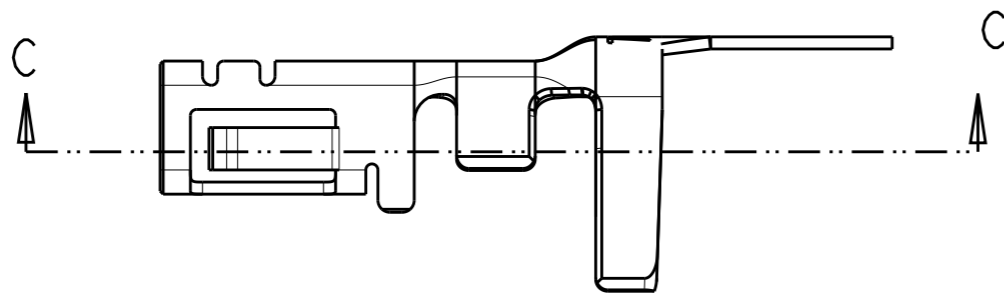


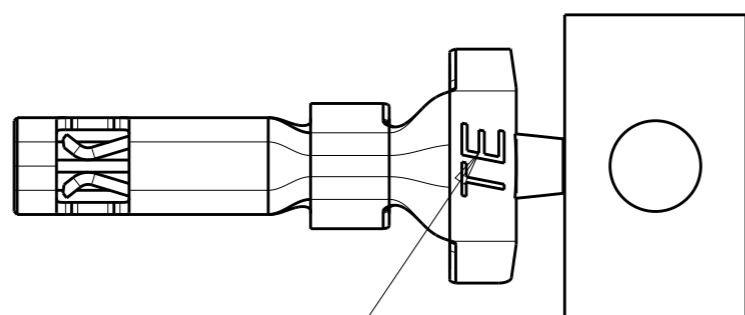
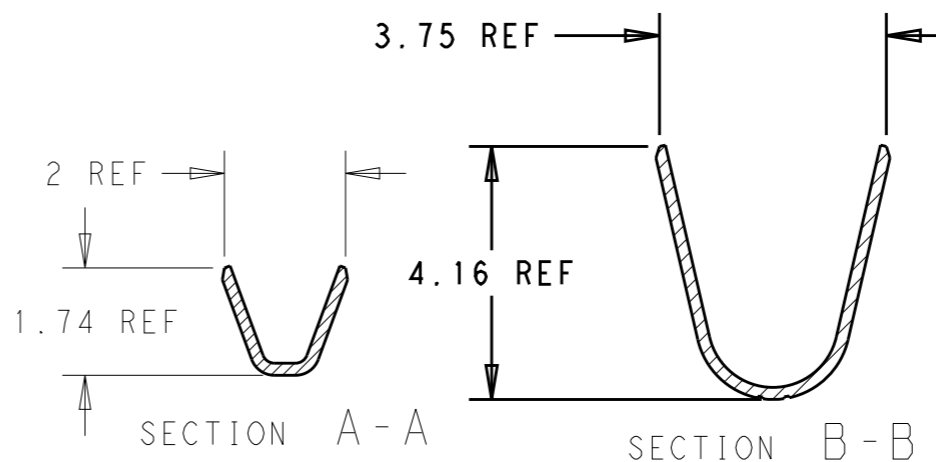
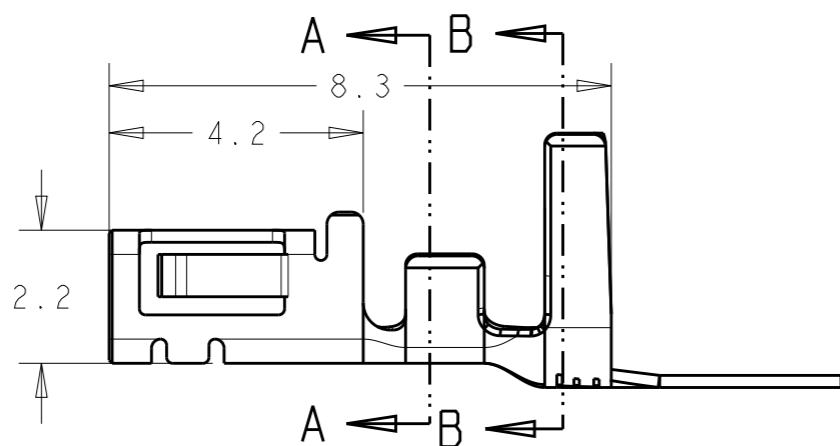
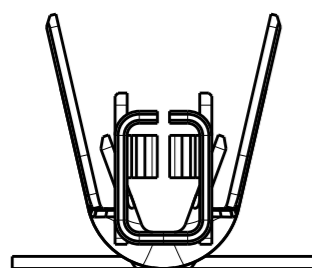
LOC		DIST		REVISIONS			
P	LTR	DESCRIPTION		DATE	DWN	APVD	
-	-	A	INITIAL RELEASE	08-Jan-13	LZH	MYH	



SECTION C-C

NOTES:

- 1. MATERIAL: PRE-TIN COPPER ALLOY
- 2. APPLICABLE WIRE: AWG #20-#24, INSULATION DIAØ 1.5-2.5MM
- 3. MATING PLUG HOUSING: *-1971905-*

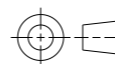


TRADE MARK

P/N 1983780-1

THIS DRAWING IS A CONTROLLED DOCUMENT.

DIMENSIONS: mm



TOLERANCES UNLESS OTHERWISE SPECIFIED:

- 0 PLC ±-
- 1 PLC ±0.3
- 2 PLC ±0.1
- 3 PLC ±0.001
- 4 PLC ±0.0001
- ANGLES ±-

MATERIAL SEE NOTE

FINISH -

DWN LZH 08-Jan-13

CHK HAPYE.WU 08-Jan-13

APVD YH.MAO 08-Jan-13

PRODUCT SPEC 108-106094

APPLICATION SPEC 114-106094

WEIGHT -

Customer Drawing



NAME NEXT GENERATION G13.3 RECEPTACLE CONTACT

SIZE CAGE CODE DRAWING NO RESTRICTED TO

A300779 C-1983780

SCALE - SHEET 1 OF 1 REV A