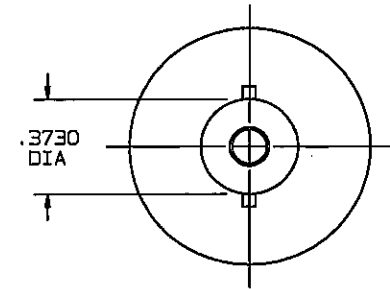
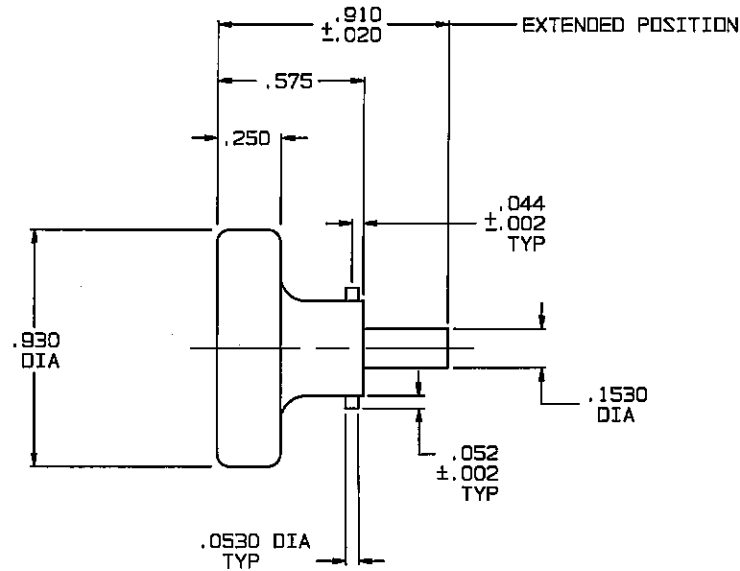
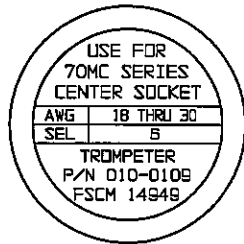


RED INDICATES ORIGINAL

DATA CONTAINED IN THIS DOCUMENT IS PROPRIETARY TO TROMPETER ELECTRONICS INC. AND SHALL NOT BE DISCLOSED, COPIED OR USED FOR PROCUREMENT OR MANUFACTURE WITHOUT EXPRESS WRITTEN PERMISSION.

REVISIONS			010-0109		SH 1
REV	EO	DESCRIPTION	DWN	APPROVED	DATE
A		PRODUCTION RELEASE	AAH		



2. FINISH: BODY; TFS-1A (NICKEL)
LOCK PINS AND LOCATOR; PASSIVATE

1. ALL DIMENSIONS ARE IN INCHES

QTY	DESCRIPTION		PART NUMBER	ITEM
	TOL UNLESS SPECIFIED .XX ± .XXX ±.010 .XXXX ±.0020 ANGLE ±		TROMPETER ELECTRONICS, INC.	POSITIONER, SOCKETS, 70MC SERIES (M22520/2-01)
DWN	AAH	1-11-96	MATERIAL	CODE IDENT
CHK	Bm	1-16-96		14949
ENGR			DRAWING NO.	REV
			010-0109	A
NEXT ASSY	APPR	1/17/96	SCALE 2/1	DATE 1/18/96
				SHEET 1 OF 3