



RE46C165/6/7/8

CMOS Photoelectric Smoke Detector ASIC with Interconnect, Timer Mode and Alarm Memory

Features

- Temporal Horn Pattern or Continuous Tone
- Alarm Memory
- Sensitivity Control Times:
 - 9 minutes (RE46C165/6)
 - 1.2 minutes (RE46C167/8)
- I/O Filter and Charge Dump
- Interconnect up to 40 Detectors
- Internal Power-on Reset (POR)
- >2000V ESD Protection (HBM) on All Pins
- Low Quiescent Current Consumption (<8 μ A)
- Internal Low Battery Detection and Chamber Test
- RoHS Compliant Lead-Free Packaging

Description

The RE46C165/6/7/8 devices are low-power, CMOS photoelectric type, smoke detector ICs. With minimal external components, these circuits will provide all the required features for a photoelectric type smoke detector.

Each design incorporates a gain-selectable photo amplifier for use with an infrared emitter/detector pair.

An internal oscillator strobes power to the smoke detection circuitry for 100 μ s, every 10 seconds, to keep standby current to a minimum. If smoke is sensed, the detection rate is increased to verify an alarm condition. A High-Gain mode is available for push button chamber testing.

A check for a low battery condition and chamber integrity is performed every 43 seconds when in standby. The temporal horn pattern supports the NFPA 72 emergency evacuation signal.

An interconnect pin allows multiple detectors to be connected so when one unit alarms, all units will sound. A charge dump feature will quickly discharge the interconnect line when exiting a local alarm. The interconnect input is also digitally filtered.

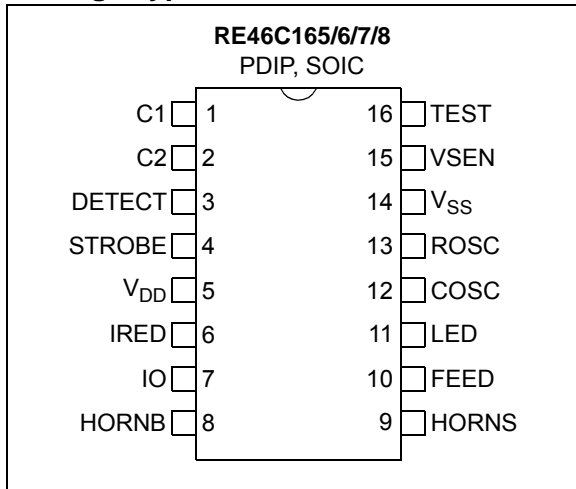
An internal timer allows for single button, push-to-test to be used for a Reduced Sensitivity mode.

An alarm memory feature allows the user to determine if the unit has previously entered a local alarm condition.

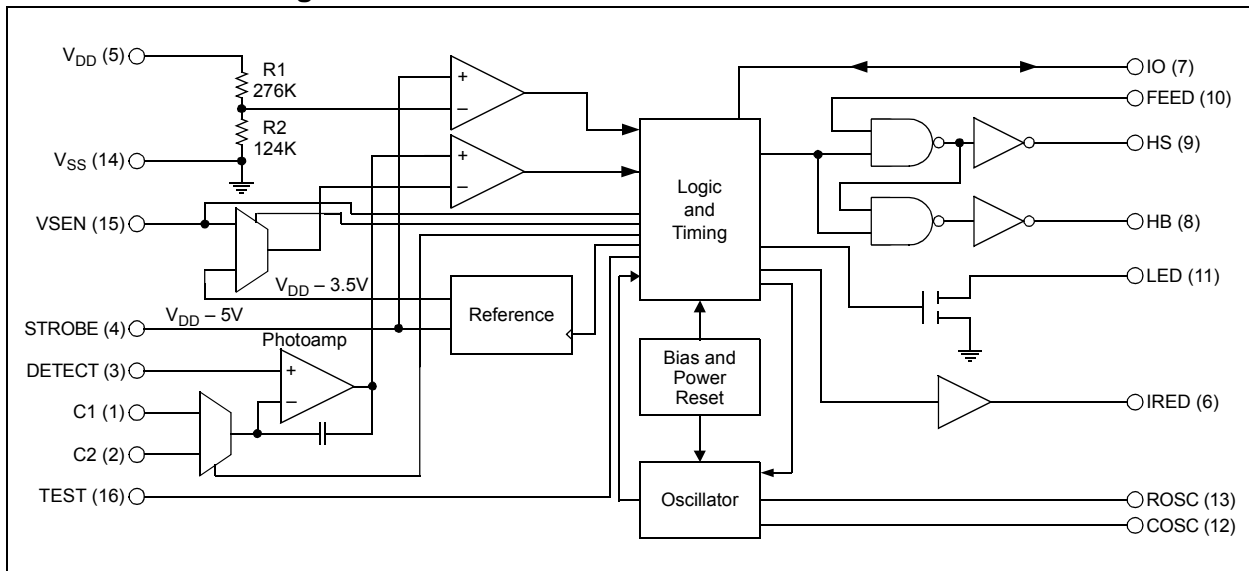
Utilizing low-power CMOS technology, the RE46C165/6/7/8 was designed for use in smoke detectors that comply with Underwriters Laboratory Specification UL217 and UL268.

RE46C165/6/7/8

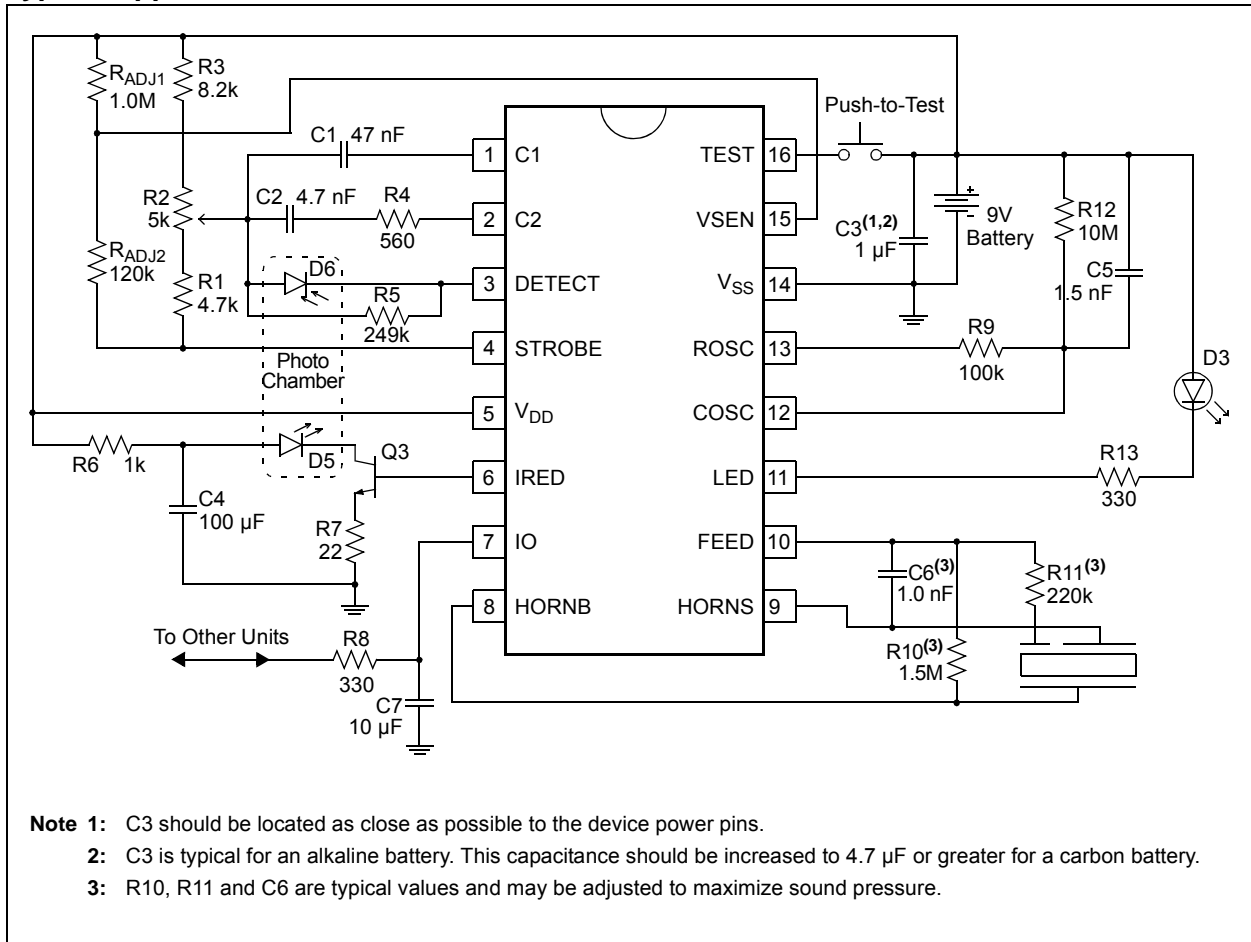
Package Types



Functional Block Diagram



Typical Application



RE46C165/6/7/8

NOTES:

1.0 ELECTRICAL CHARACTERISTICS

Absolute Maximum Ratings†

V _{DD}	12.5V
Input Voltage Range except FEED, I/O.....V _{IN} = -0.3V to V _{DD} + 0.3V	
FEED Input Voltage Range..... V _{INFD} = -10 to +22V	
I/O Input Voltage Range.....V _{IO1} = -0.3 to 15V	
Input Current except FEED, TEST, VSEN	I _{IN} = 10 mA
Input Current for FEED, VSEN	I _{IN} = 500 μA
Operating Temperature	T _A = -25 to +75°C
Storage Temperature	T _{STG} = -55 to +125°C
Maximum Junction Temperature.....	T _J = +150°C

† **Notice:** Stresses above those listed under “Maximum Ratings” may cause permanent damage to the device. This is a stress rating only and functional operation of the device at these, or any other conditions above those indicated in the operation listings of this specification, is not implied. Exposure to maximum rating conditions for extended periods may affect device reliability.

DC ELECTRICAL CHARACTERISTICS⁽³⁾

DC Electrical Characteristics: Unless otherwise indicated, all parameters apply at T_A = -25° to +75°, V_{DD} = 9V, Typical Application (unless otherwise noted), V_{SS} = 0V

Parameter	Symbol	Test Pin	Min.	Typ.	Max.	Units	Conditions
Supply Voltage	V _{DD}	5	6	—	12	V	Operating
Supply Current	I _{DD1}	5	—	4	6	μA	COSC = V _{SS} , LED off
	I _{DD2}	5	—	5.5	8	μA	COSC = V _{SS} , LED off, V _{DD} = 12V
	I _{DD3}	5	—	—	2	mA	COSC = V _{SS} , STROBE on IRED off
	I _{DD4}	5	—	—	3	mA	COSC = V _{SS} , STROBE on, IRED on (Note 1)
Input Voltage High	V _{IH1}	10	6.2	4.5	—	V	FEED
	V _{IH2}	7	3.2	—	—	V	No local alarm, I/O as an input
	V _{IH3}	15	1.6	—	—	V	VSEN
	V _{IH4}	16	8.5	—	—	V	TEST
Input Voltage Low	V _{IL1}	10	—	4.5	2.7	V	FEED
	V _{IL2}	7	—	—	1.5	V	No local alarm, I/O as an input
	V _{IL3}	15	—	—	0.5	V	VSEN
	V _{IL4}	16	—	—	7	V	TEST
Input Leakage Low	I _{IL1}	1, 2, 3	—	—	-100	nA	V _{DD} = 12V, COSC = 12V, STROBE active
	I _{IL2}	12, 10	—	—	-100	nA	V _{DD} = 12V, V _{IN} = V _{SS}
	I _{IL3}	15, 16	—	—	-1	μA	V _{DD} = 12V, V _{IN} = V _{SS}
	I _{LFD}	10	—	—	-50	μA	FEED = -10V
Input Leakage High	I _{IH1}	1, 2	—	—	100	nA	V _{DD} = 12V, V _{IN} = V _{DD} , STROBE active
	I _{IH2}	3, 10, 12	—	—	100	nA	V _{DD} = 12V, V _{IN} = V _{DD}
	I _{HFD}	10	—	—	50	μA	FEED = 22V

Note 1: Does not include Q3 emitter current.

2: Not production tested.

3: Production tested at room temperature with guardbanded limits.

RE46C165/6/7/8

DC ELECTRICAL CHARACTERISTICS⁽³⁾ (CONTINUED)

DC Electrical Characteristics: Unless otherwise indicated, all parameters apply at $T_A = -25^\circ$ to $+75^\circ$, $V_{DD} = 9V$, Typical Application (unless otherwise noted), $V_{SS} = 0V$

Parameter	Symbol	Test Pin	Min.	Typ.	Max.	Units	Conditions
Input Pull-Down Current	I_{PD1}	16	0.25	—	10	μA	$V_{IN} = V_{DD}$
	I_{PD2}	15	0.1	0.25	0.5	μA	$V_{IN} = V_{DD}$
	I_{PDIO1}	7	20	—	80	μA	$V_{IN} = V_{DD}$
	I_{PDIO2}	7	—	—	140	μA	$V_{IN} = 15V, V_{DD} = 12V$
Output Off Leakage Low	I_{OZL1}	11, 13	—	—	-1	μA	Outputs off, Output = V_{SS}
Output Off Leakage High	I_{OZH1}	11, 13	—	—	1	μA	Outputs off, Output = V_{DD}
Output High Voltage	V_{OH1}	8, 9	5.5	—	—	V	$I_{OH} = -16$ mA, $V_{DD} = 6.5V$
Output Low Voltage	V_{OL1}	8, 9	—	—	1	V	$I_{OL} = 16$ mA, $V_{DD} = 6.5V$
	V_{OL2}	13	—	0.5	—	V	$I_{OL} = 5$ mA, $V_{DD} = 6.5V$
	V_{OL3}	11	—	—	0.6	V	$I_{OL} = 10$ mA, $V_{DD} = 6.5V$
Output Current	I_{IOH1}	7	-4	—	-16	mA	Alarm, $V_{IO} = V_{DD} - 2V$ or $V_{IO} = 0V$
	I_{IODMP}	7	5	—	—	mA	At conclusion of local alarm or test, $V_{IO} = 1V$
Low Battery Voltage	V_{LB}	5	6.9	7.2	7.5	V	
Output Voltage	V_{STOF}	4	$V_{DD} - 0.1$	—	—	V	STROBE off, $V_{DD} = 12V$, $I_{OUT} = -1$ μA
	V_{STON}	4	$V_{DD} - 5.25$	$V_{DD} - 5$	$V_{DD} - 4.75$	V	STROBE on, $V_{DD} = 9V$, $I_{OUT} = 100$ μA to 500 μA
	V_{IREDOF}	6	—	—	0.1	V	IRED off, $V_{DD} = 12V$, $I_{OUT} = 1$ μA
	V_{IREDON}	6	2.85	3.1	3.35	V	IRED on, $V_{DD} = 9V$, $I_{OUT} = 0$ to -6 mA, $T_A = +25^\circ C$
Common-Mode Voltage	V_{CM1}	1, 2, 3	0.5	—	$V_{DD} - 2$	V	Local smoke, push-to-test or chamber test (Note 2)
Smoke Comparator Reference	V_{REF}	—	$V_{DD} - 3.7$	$V_{DD} - 3.5$	$V_{DD} - 3.3$	V	Internal reference (Note 2)
Temperature Coefficient	TC_{ST}	4	—	0.01	—	%/ $^\circ C$	STROBE output voltage, $V_{DD} = 6V$ to $12V$
	TC_{IRED}	6	—	0.3	—	%/ $^\circ C$	IRED output voltage, $V_{DD} = 6V$ to $12V$
Line Regulation	ΔV_{STON}	4, 5	—	-50	—	dB	STROBE output (vs. V_{DD}), $V_{DD} = 6V$ to $12V$
	ΔV_{IREDON}	6, 5	—	-30	—	dB	IRED output voltage, $V_{DD} = 6V$ to $12V$

Note 1: Does not include Q3 emitter current.

2: Not production tested.

3: Production tested at room temperature with guardbanded limits.

AC ELECTRICAL CHARACTERISTICS

AC Electrical Characteristics: Unless otherwise indicated, all parameters apply at $T_A = -25^\circ$ to $+75^\circ$, $V_{DD} = 9V$, Typical Application (unless otherwise noted), $V_{SS} = 0V$.

Parameter	Symbol	Test Pin	Min.	Typ.	Max.	Units	Clocks	Conditions
Oscillator Time Base (COSC, ROSC)								
Oscillator Period	T_{POSC}	9	9.38	10.42	11.46	ms	1	Operating (Note 1)
Oscillator Tolerance	T_{TOLOSC}	9	-10	0	10	%	1	Operating
LED Indication (LED)								
LED On Time	T_{ON1}	11	9.4	10.4	11.5	ms	1	Operating
LED Period	T_{PLED0}	11	LED IS NOT ON			s	—	Remote alarm only
	T_{PLED1}	11	38	43	47	s	4096	Standby, no alarm
	T_{PLED2}	11	450	500	550	ms	48	Local alarm condition
	T_{PLED3}	11	9.6	10.7	11.7	s	1024	Timer mode, no local alarm (Note 4)
	T_{PLED4}	11	225	250	275	ms	24	Timer mode, no local alarm (Note 4)
Alarm Memory LED Pulse Train (3x) Off Time	T_{OFLED}	11	1.2	1.3	1.5	s	127	Alarm memory set, LED enabled
Alarm Memory LED Timer Period	T_{LALED}	11	21.5	23.9	26.3	Hours	8257536	Alarm memory set
Detection (STROBE, IRED)								
STROBE On Time	T_{STON}	4	9.4	10.4	11.5	ms	1	Smoke test, chamber test
IRED On Time	T_{IRON}	6	94	104	114	μs	0.01	Operating/DIAG (Note 1)

Note 1: T_{POSC} and T_{IRON} are 100% production tested. All other timing is verified by functional testing.

2: See the timing diagram for Horn Temporal Pattern in [Figure 3-2](#).

3: See the timing diagram for Horn Continuous Pattern in [Figure 3-3](#).

4: During Timer mode, the LED period is 10.5 seconds. The LED period will return to 43 seconds at the conclusion of the Timer mode.

RE46C165/6/7/8

AC ELECTRICAL CHARACTERISTICS (CONTINUED)

AC Electrical Characteristics: Unless otherwise indicated, all parameters apply at $T_A = -25^\circ$ to $+75^\circ$, $V_{DD} = 9V$, Typical Application (unless otherwise noted), $V_{SS} = 0V$.

Parameter	Symbol	Test Pin	Min.	Typ.	Max.	Units	Clocks	Conditions
Smoke Test Period (IRED and STROBE)	T_{PER0}	4, 6	9.6	10.7	11.7	s	1024	Standby, no alarm
	T_{PER1}	4, 6	1.8	2.0	2.2	s	192	RE46C165/7 only Standby, 1 valid smoke sample
		4, 6	2.4	2.7	2.9	s	256	RE46C166/8 only Standby, 1 valid smoke sample
	T_{PER2}	4, 6	0.9	1.0	1.1	s	96	RE46C165/7 only Standby, after 2 consecutive valid smoke samples
		4, 6	1.2	1.3	1.5	s	128	RE46C166/8 only Standby, after 2 consecutive valid smoke samples
	T_{PER3}	4, 6	0.9	1.0	1.1	s	96	RE46C165/7 only Local alarm (3 consecutive valid smoke samples)
		4, 6	1.2	1.3	1.5	s	128	RE46C166/8 only Local alarm (3 consecutive valid smoke samples)
	T_{PER4}	4, 6	300	333	367	ms	32	Push button test
	T_{PER5}	4, 6	7.2	8.0	8.8	s	768	RE46C165/7 only In remote alarm
		4, 6	9.6	10.7	11.7	s	1024	RE46C166/8 only In remote alarm
T_{PER6}	4, 6	38	43	47	s	4096	Chamber test or low battery test, no alarm	
Horn Operation (HORN, HORNS, FEED)								
Alarm On Time	T_{HON1}	8, 9	450	500	550	ms	48	RE46C165/7 only Local or remote alarm (Note 2)
		8, 9	225	250	275	ms	24	RE46C166/8 only Local or remote alarm (Note 3)
Alarm Off Time	T_{HOF1}	8, 9	450	500	550	ms	48	RE46C165/7 only Local or remote alarm (Note 2)
		8, 9	75	83	92	ms	8	RE46C166/8 only Local or remote alarm (Note 3)
	T_{HOF2}	8, 9	1.35	1.50	1.65	s	144	RE46C165/7 only Local or remote alarm (Note 2)
Alarm Period	T_{HPER1}	8, 9	3.60	4.00	4.40	s	384	RE46C165/7 only Local or remote alarm (Note 2)
		8, 9	0.30	0.33	0.37	s	32	RE46C166/8 only Local or remote alarm (Note 3)

Note 1: T_{POSC} and T_{IRON} are 100% production tested. All other timing is verified by functional testing.

2: See the timing diagram for Horn Temporal Pattern in [Figure 3-2](#).

3: See the timing diagram for Horn Continuous Pattern in [Figure 3-3](#).

4: During Timer mode, the LED period is 10.5 seconds. The LED period will return to 43 seconds at the conclusion of the Timer mode.

AC ELECTRICAL CHARACTERISTICS (CONTINUED)

AC Electrical Characteristics: Unless otherwise indicated, all parameters apply at $T_A = -25^\circ$ to $+75^\circ$, $V_{DD} = 9V$, Typical Application (unless otherwise noted), $V_{SS} = 0V$.

Parameter	Symbol	Test Pin	Min.	Typ.	Max.	Units	Clocks	Conditions
Low Battery or Chamber Fail Horn On Time	T_{HON2}	8, 9	9.4	10.4	11.5	ms	1	Low battery or fail chamber test, no alarm
Low Battery Horn Off Time	T_{HOF3}	8, 9	38	43	47	s	4095	Low battery, no alarm
Low Battery or Chamber Fail Period	T_{HPER2}	8, 9	38	43	47	s	4096	Low battery, no alarm
Chamber Fail Horn Off Time	T_{HOF4}	8, 9	291	323	355	ms	31	Failed chamber, no alarm
Chamber Fail Pause Off Time	T_{HOF5}	8, 9	38	42	46	s	4031	Failed chamber, no alarm
Push-to-Test Alarm Memory Off Time	T_{HOF6}	8, 9	216	240	264	ms	23	Alarm memory active, push-to-test
Push-to-Test Alarm Memory Period	T_{HPER3}	8, 9	225	250	275	ms	24	Alarm memory active, push-to-test
Interconnect Signal Operation (I/O)								
I/O Active Delay	T_{IODLY1}	7	0.0	0.0	0.0	s	0	Local alarm start to I/O active
Remote Alarm Delay	T_{IODLY2}	7	0.74	0.99	1.27	s	95	RE46C165/7 only No local alarm, I/O active to alarm
		7	0.37	0.57	0.81	s	55	RE46C166/8 only No local alarm, I/O active to alarm
I/O Charge Dump Duration	T_{IODMP}	7	0.89	0.99	1.09	s	95	RE46C165/7 only At conclusion of local alarm or test
		7	1.19	1.32	1.46	s	127	RE46C166/8 only At conclusion of local alarm or test
I/O Filter	T_{IOFILT}	7	—	—	0.30	s	32	Maximum I/O pulse width filtered
Hush Timer Operation								
Hush Timer Period	T_{TPER}	—	8.1	9.0	9.9	Min	51712	RE46C165/6 only No alarm condition
		—	1.1	1.2	1.4	Min	7232	RE46C167/8 only No alarm condition

Note 1: T_{POSC} and T_{IRON} are 100% production tested. All other timing is verified by functional testing.

2: See the timing diagram for Horn Temporal Pattern in [Figure 3-2](#).

3: See the timing diagram for Horn Continuous Pattern in [Figure 3-3](#).

4: During Timer mode, the LED period is 10.5 seconds. The LED period will return to 43 seconds at the conclusion of the Timer mode.

RE46C165/6/7/8

TEMPERATURE CHARACTERISTICS

Electrical Specifications: Unless otherwise indicated, $V_{DD} = 9V$, Typical Application (unless otherwise noted), $V_{SS} = 0V$

Parameters	Sym.	Min.	Typ.	Max.	Units	Conditions
Temperature Ranges						
Specified Temperature Range	T_A	-25	—	+75	°C	
Operating Temperature Range	T_A	-25	—	+75	°C	
Storage Temperature Range	T_{STG}	-55	—	+125	°C	
Thermal Package Resistances						
Thermal Resistance, 16L-PDIP	θ_{JA}	—	70	—	°C/W	
Thermal Resistance, 16L-SOIC (150 mil)	θ_{JA}	—	86.1	—	°C/W	

2.0 PIN DESCRIPTIONS

The descriptions of the pins are listed in [Table 2-1](#).

TABLE 2-1: PIN FUNCTION TABLE

RE46C165/6/7/8 PDIP, SOIC	Symbol	Function
1	C1	High-Gain Capacitor Pin
2	C2	Normal Gain Capacitor Pin
3	DETECT	Photo Diode Input
4	STROBE	Strobed Detection Negative Supply
5	V _{DD}	Positive Power Supply
6	IREDD	Infrared Emitting Diode Pin
7	IO	Interconnect Pin
8	HB	Horn Brass, Inverted Output
9	HS	Horn Silver Output
10	FEED	Horn Feedback Pin
11	LED	LED Driver Pin
12	COSC	Oscillator Capacitor Input
13	ROSC	Oscillator Resistor Drive Low
14	V _{SS}	Negative Power Supply
15	VSEN	Hush Timer Sensitivity Pin
16	TEST	Test Pin

2.1 High/Normal Gain Capacitor Pins (C1, C2)

The capacitor connected to the C1 pin sets the photo amplifier gain (high) for the push-to-test and chamber sensitivity test. The size of this capacitor will depend on the chamber background reflections. $A = 1 + (C1/10)$, where C1 is expressed in pF. The gain should be <10000.

The capacitor connected to the C2 pin sets the photo amplifier gain (normal) during standby. The value of this capacitor will depend on the smoke sensitivity required. $A = 1 + (C2/10)$, where C2 is expressed in pF.

2.2 Photo Diode Input (DETECT)

This input is normally connected to the cathode of an external photo diode operated at zero bias.

2.3 Strobed Detection Negative Supply (STROBE)

Regulated output voltage of $V_{DD} - 5$, which is active during a test for smoke. This output is the negative side of the photo amplifier reference circuitry.

2.4 Positive Power Supply (V_{DD})

The V_{DD} pin is the device's positive power supply input.

2.5 Infrared Emitting Diode Pin (IREDD)

Provides a regulated pulsed output voltage pre-driver for the infrared emitter. This output usually drives the base of an NPN transistor.

2.6 Interconnect Pin (I/O)

This bidirectional pin provides the capability to interconnect many detectors in a single system. This pin has an internal pull-down device.

2.7 Horn Brass, Inverted Output (HB)

The HB pin is connected to the metal electrode of a piezoelectric transducer.

2.8 Horn Silver Output Pin (HS)

The HS pin is a complementary output to HB and connects to the ceramic electrode of the piezoelectric transducer.

2.9 Horn Feedback Pin (FEED)

Usually, this pin is connected to the feedback electrode through a current-limiting resistor. If not used, this pin must be connected to V_{DD} or V_{SS} .

When the horn is enabled, FEED drives the buffered output HS pin and the complementary output HB pin.

2.10 LED Driver Pin (LED)

This pin is an open-drain NMOS output used to drive a visible LED.

2.11 Oscillator Capacitor Input (COSC)

A capacitor connected to this pin, with a parallel resistor, sets the internal clock low time, which is approximately the clock period.

2.12 Oscillator Resistor Drive Low (ROSC)

A resistor between this pin and the COSC pin sets the internal clock high time. This also sets the IRED pulse width.

2.13 Hush Timer Sensitivity Pin (VSEN)

In Timer mode, this input pin can be used to set an external smoke comparator reference.

2.14 TEST Pin

This input is used to invoke two Test modes and the Timer mode. This input has an internal pull-down.

3.0 DEVICE DESCRIPTION

3.1 Internal Timing

With the external components specified in the [Typical Application](#) section for ROSC and COSC, the internal oscillator has a nominal period of 10 ms. Normally, the analog circuitry is powered down to minimize standby current (typically 4 μ A at 9V). Once every 10 seconds, the detection circuitry (normal gain) is powered up for 10 ms. Prior to completion of the 10 ms period, the IRED pulse is active for 100 μ s. At the conclusion of the 10 ms period, the photo amplifier is compared to an internal reference to determine the chamber status and latched. If a smoke condition is present, the period to the next detection decreases and additional checks are made. Three consecutive smoke detections will cause the device to go into alarm, and the horn circuit and interconnect will be active.

Once every 43 seconds, the status of the battery voltage is checked. This status is checked and latched at the conclusion of the LED pulse. In addition, once every 43 seconds, the chamber is activated, and using the High-Gain mode (capacitor C1), a check of the chamber is made by amplifying background reflections. If either the low battery or the photo chamber test fails, the horn will chirp for 10 ms every 43 seconds.

The oscillator period is determined by the values of R9, R12 and C5 (see the [Typical Application](#) figure). The oscillator period is as follows:

EQUATION 3-1:

$T = TR + TF$ <p>Where:</p> $TR = 0.693 * R12 * C5$ $TF = 0.693 * R9 * C5$
--

3.2 Smoke Detection Circuit

A comparator compares the photo amplifier output to an internal reference voltage. If the required number of consecutive smoke conditions is met, the device will go into local alarm and the horn will be active. In local alarm, the C2 gain is internally increased by approximately 10% to provide alarm hysteresis.

3.3 Push-to-Test Operation

If the TEST input pin is activated (V_{IH4}), the smoke detection is sampled at a high rate. The RE46C166/8 devices sample at a period of 330 ms. The RE46C165/7 devices have a first sample delay of up to 330 ms. After one sample, the smoke detection rate increases to once every 250 ms. In this mode, the high-gain capacitor C1 is selected and background reflections are used to simulate a smoke condition. After the required three consecutive

detections, the device will go into a local alarm condition. When the TEST input is deactivated (V_{IL4}) and after one clock cycle, the normal gain capacitor C2 is selected. The detection rate continues, once every 330 ms for the RE46C166/8, and every 250 ms while the horn is not sounding for the RE46C165/7. When three consecutive 'no smoke' conditions are detected, the device returns to standby timing.

Push-to-test will not work while the alarm memory is set. The alarm memory notification will be activated instead.

3.4 LED Pulse

In standby, the LED is pulsed on for 10 ms, every 43 seconds. In a local alarm condition, or the push-to-test alarm, the LED pulse frequency is increased once every 0.5 seconds. In the case of a remote alarm, the LED is not active. In the Timer mode of operation, the LED is pulsed on for 10 ms every 10 seconds.

3.5 Interconnect

The bidirectional I/O pin allows the interconnection of multiple detectors. In a local alarm condition, this pin is driven high immediately through a constant-current source. Shorting this output to ground will not cause excessive current. The I/O is ignored as an input during a local alarm.

The I/O pin has a 280k nominal pull-down resistor, so the pin may be left unconnected.

The I/O pin also has an NMOS discharge device that is active for 1 second after the conclusion of any type of local alarm. This device helps to quickly discharge any capacitance associated with the interconnect line.

If a remote active-high signal is detected, the device goes into remote alarm and the horn will be active. Internal protection circuitry allows for the signaling unit to have a higher supply voltage than the signaled unit, without excessive current draw.

The interconnect input has a digital filter that ensures filtering out pulses of up to 300 ms. Filter pulses will be ignored and not affect internal timing of the part. This allows for interconnection to other types of alarms (carbon monoxide, for example) that may have a pulsed interconnect signal.

The remote alarm delay (370 ms to 1.27s) specifies the time from the interconnect going active to sounding the piezo horn alarm.

3.6 Low Battery Detection

In standby, an internal reference is compared to the voltage divided V_{DD} supply. A low battery status is latched at the conclusion of the LED pulse. The horn will chirp once for 10 ms, every 43 seconds, until the low battery condition no longer exists. The low battery chirp occurs next to the LED pulse.

The low battery notification does not sound in a local or remote alarm condition.

3.7 Chamber Fail Detection

In standby, a chamber test is also performed every 43 seconds by switching to the high-gain capacitor C1 and sensing the photo chamber background reflections. Two consecutive chamber test failures will cause the horn to chirp 3 times for 10 ms, spaced 323 ms apart. This will repeat every 42 seconds, as long as a chamber test fail exists. The failed chamber test chirps occur ~21 seconds after the LED pulse in Standby mode (not hush).

The chamber fail notification does not sound in a local or remote alarm condition.

3.8 Timer Mode

If resistors, R_{ADJ1} and R_{ADJ2} (see [Typical Application](#) figure), are in place and a high-to-low transition occurs on the TEST input, the device enters a Timer mode (10 minutes maximum for RE46C165/6 devices, 1 minute maximum for RE46C167/8). In this mode, the smoke comparator reference is switched from the internal $V_{DD} - 3.5V$ reference to the voltage that appears on VSEN. This allows the sensitivity to be modified for the duration of the timer period. High-gain operations (push-to-test and chamber test) always use the internal $V_{DD} - 3.5V$ reference. The chamber test is performed in Timer mode.

If VSEN is left unconnected or tied to V_{SS} , the Hush Timer mode operation is inhibited.

If the smoke level causes the reduced sensitivity set point to be exceeded during this timer period, the unit will go into a local alarm condition, the horn will sound and the Timer mode is cancelled. If an external only alarm occurs during the Timer mode, the Timer mode is cancelled.

If the test button is pushed in a Standby Reduced Sensitivity mode, the unit is tested normally. Upon release of the test button, the 10 minute maximum Timer mode counter is reset and restarted.

3.9 Alarm Memory

If a detector has entered a local alarm, when exiting that local alarm, the alarm memory latch is set. Initially, the LED can be used to visually identify any unit that had previously been in a local alarm condition. The LED will flash 3 times, spaced 1.3 seconds apart. This pattern will repeat every 43 seconds. The duration of the flash is 10 ms. In order to conserve battery power, this visual indication will stop after a period of 24 hours. The user will always be able to identify a unit with an active alarm memory by pressing the push-to-test button. When this button is active, the horn will chirp and the LED will pulse on for 10 ms, every 250 ms. The push-to-test alarm will not activate until the alarm memory is reset.

If the alarm memory condition is set, any time the push-to-test button is pressed and then released, the alarm memory latch is reset.

The initial 24 hour visual indication is not displayed if a low battery condition exits.

3.10 Diagnostic Mode

In addition to the normal function of the TEST input, a special Diagnostic mode is available to calibrate and test the smoke detector. Taking the TEST pin below V_{SS} , and sourcing ~200 μA out of the pin for 1 clock cycle, will enable the Diagnostic mode. In the Diagnostic mode, some of the pin functions are redefined. Refer to the following [Table 3-1](#) for redefined pin functions in the Diagnostic mode. In addition, in this mode, STROBE is always enabled and the IRED is pulsed at the clock rate of 10 ms nominal.

TABLE 3-1: DIAGNOSTIC MODE PIN FUNCTION

Pin Name	Pin Number	Function
IO	7	Disabled as an output. A high on this pin directs the photo amplifier output to pin C1 or C2, determined by the level on VSEN. Amplification occurs during the IRED active time.
VSEN	15	If I/O is high, then this pin controls the gain capacitor that is used. If VSEN is low, the normal gain is selected and the photo amplifier output appears on C1. If VSEN is high, high gain is selected and the photo amplifier output is on C2.
FEED	10	If VSEN is low, then taking this input high will enable hysteresis, which is a nominal 10% gain increase in Normal Gain mode.
COSC	12	If desired, this pin can be driven by an external clock.
HORNB	8	This pin becomes the smoke integrator output. A high level indicates that an alarm condition has been detected.
LED	11	The LED pin is used as a low battery indicator. For V_{DD} above the low battery threshold, the open-drain NMOS is off. If V_{DD} falls below the threshold, the NMOS turns on.

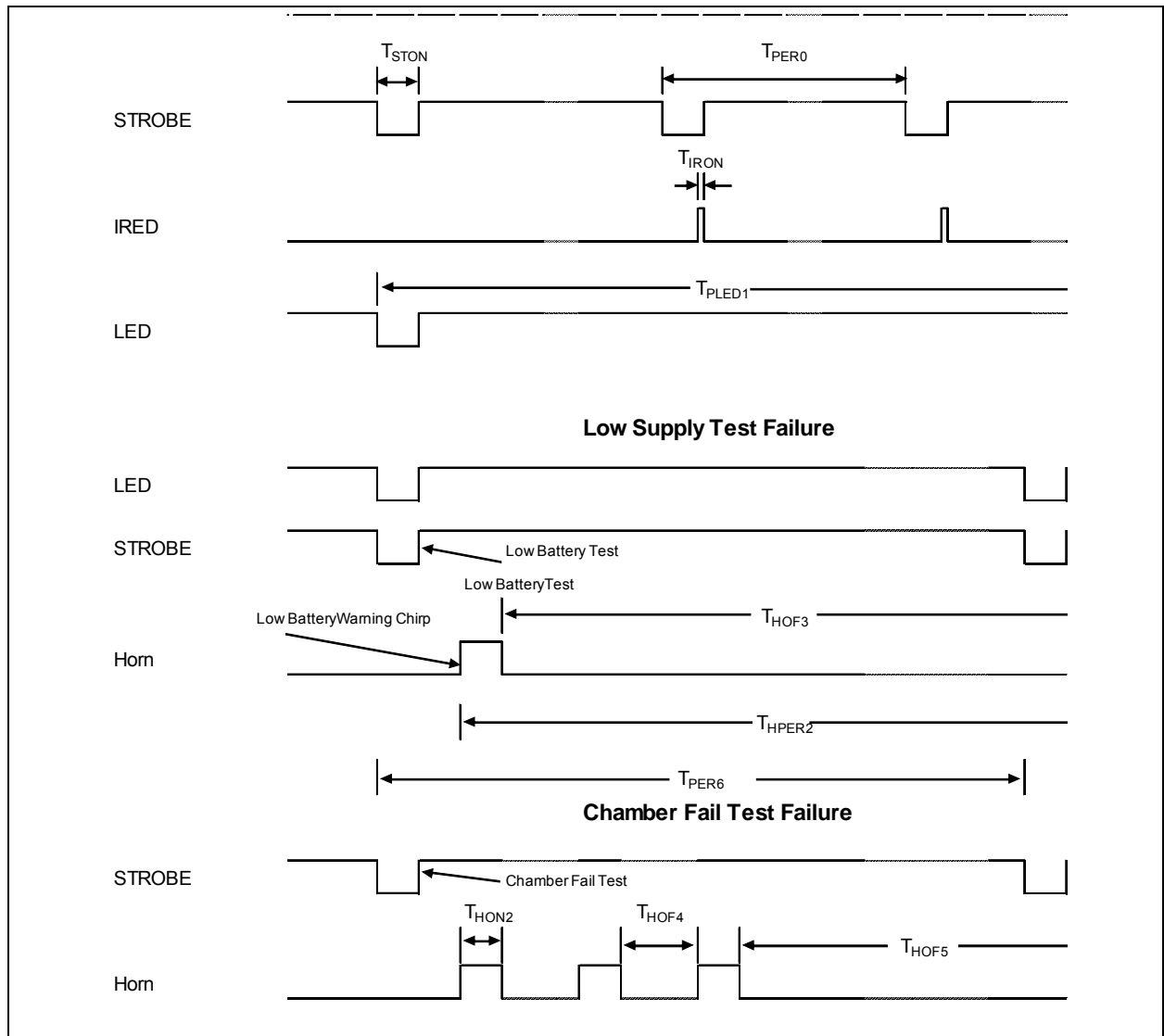


FIGURE 3-1: RE46C165/6/7/8 Timing Diagram – Standby, Low Battery, Chamber Fail.

RE46C165/6/7/8

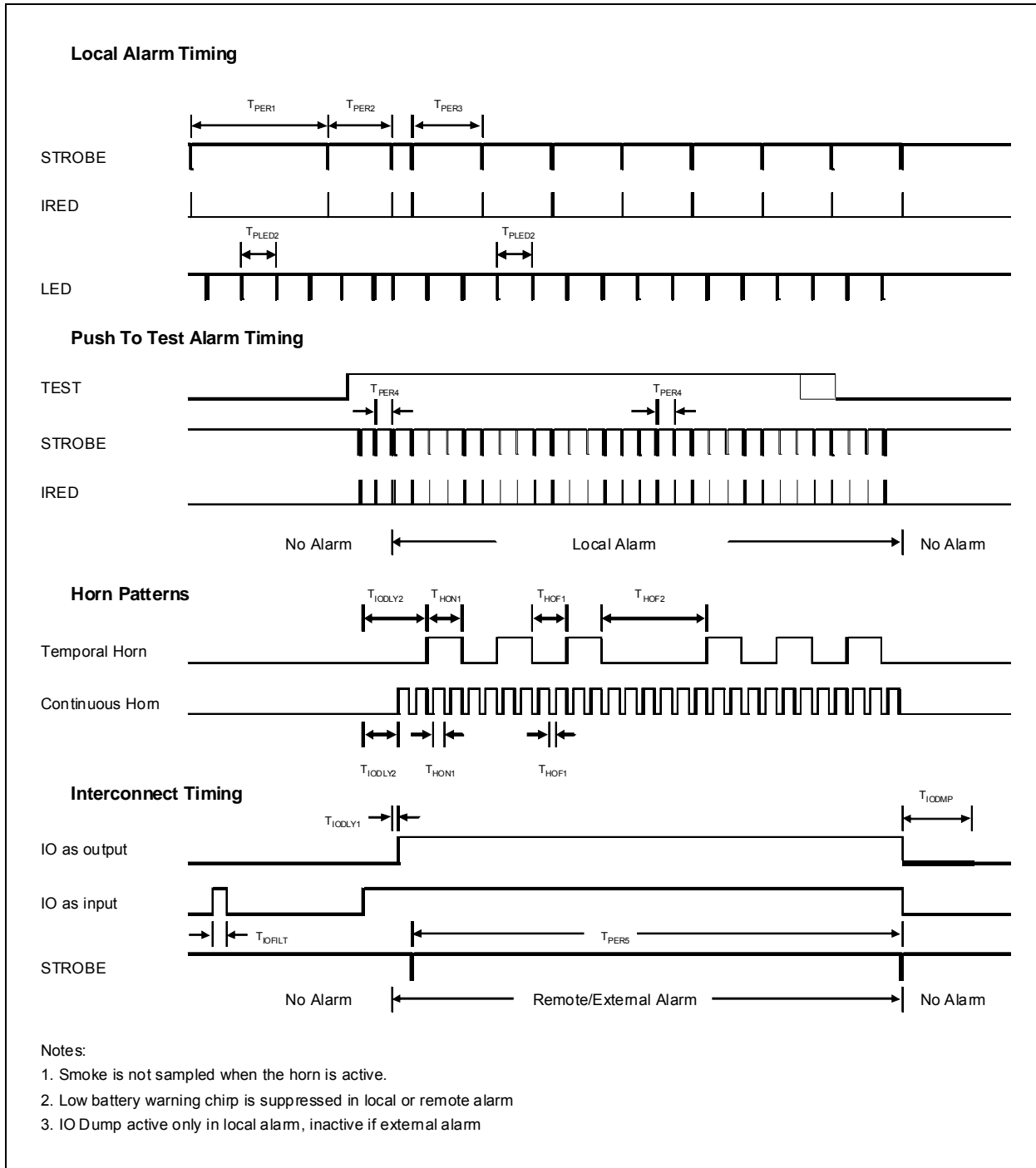


FIGURE 3-2: RE46C165/6/7/8 Timing Diagram – Local and Remote Alarm.

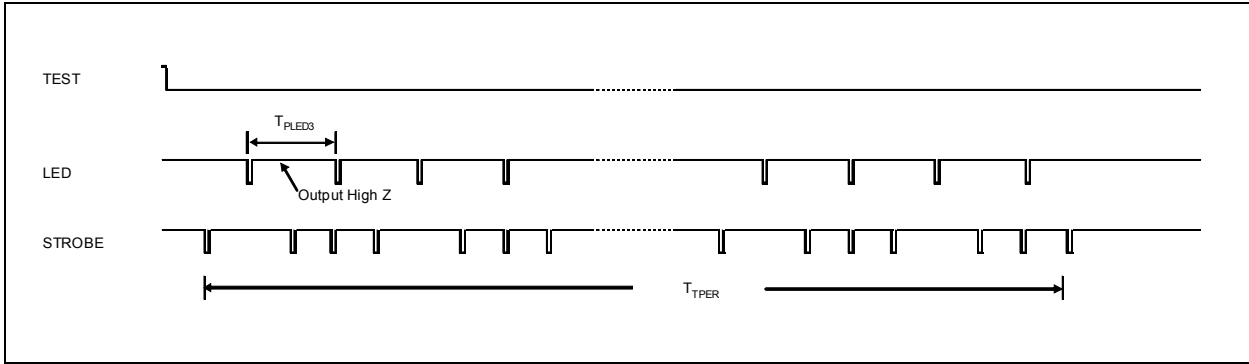


FIGURE 3-3: RE46C165/6/7/8 Timing Diagram – Timer Mode.

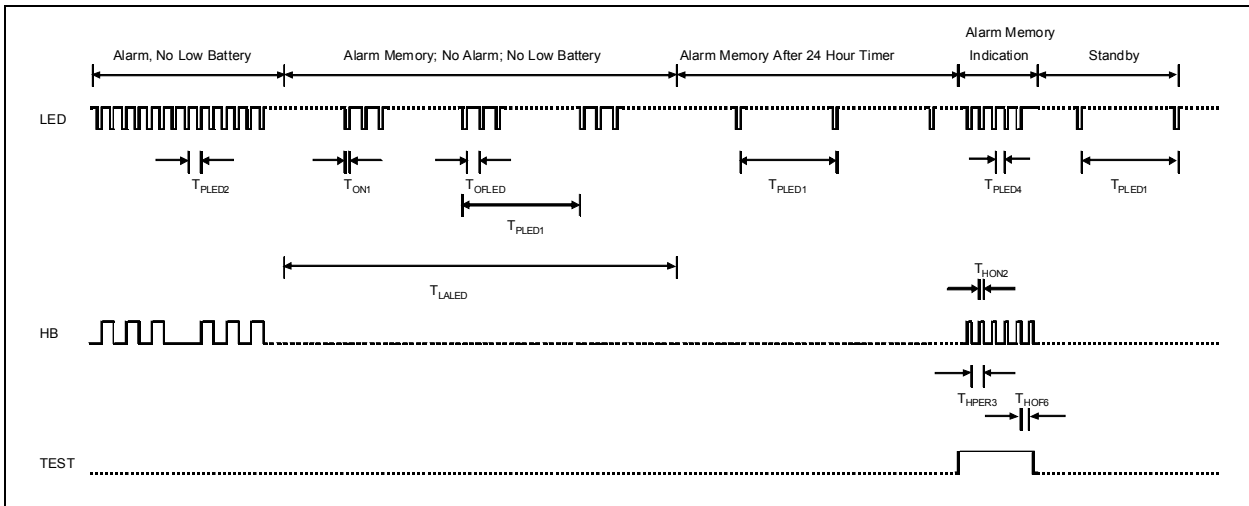


FIGURE 3-4: RE46C165/7 Timer Diagram – Alarm Memory Mode.

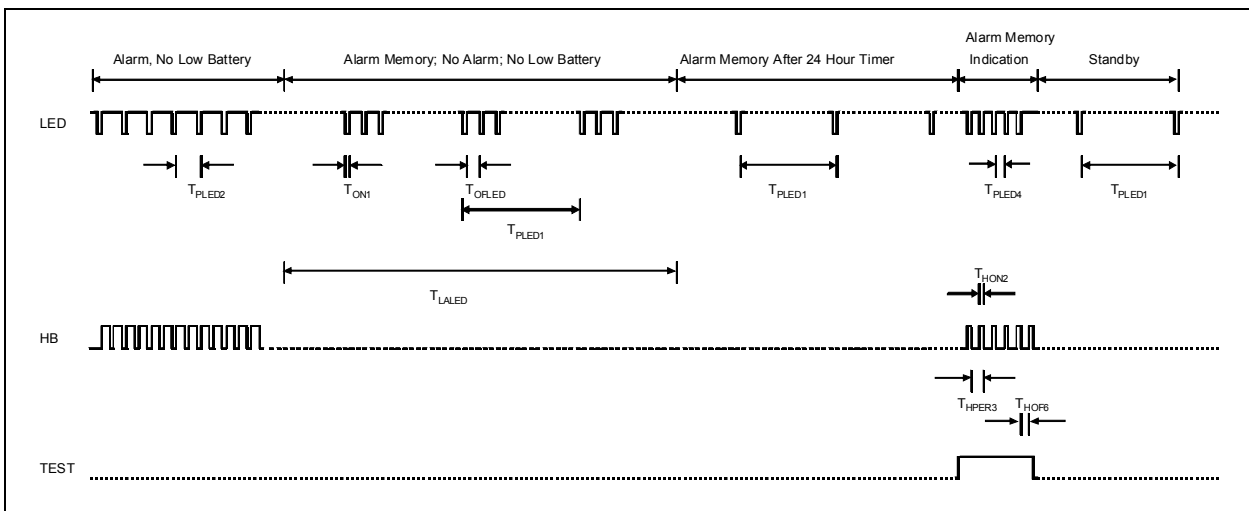


FIGURE 3-5: RE46C166/8 Timer Diagram – Alarm Memory Mode.

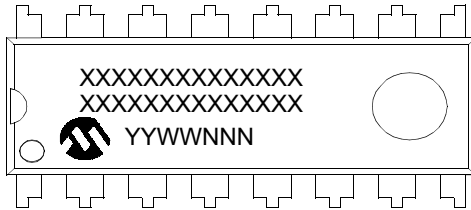
RE46C165/6/7/8

NOTES:

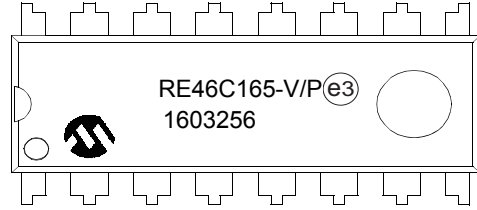
4.0 PACKAGING INFORMATION

4.1 Package Marking Information

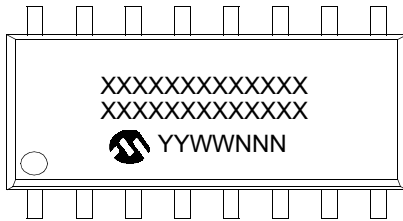
16-Lead PDIP



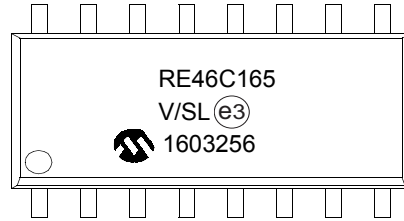
Example



16-Lead SOIC (150 mil.)



Example



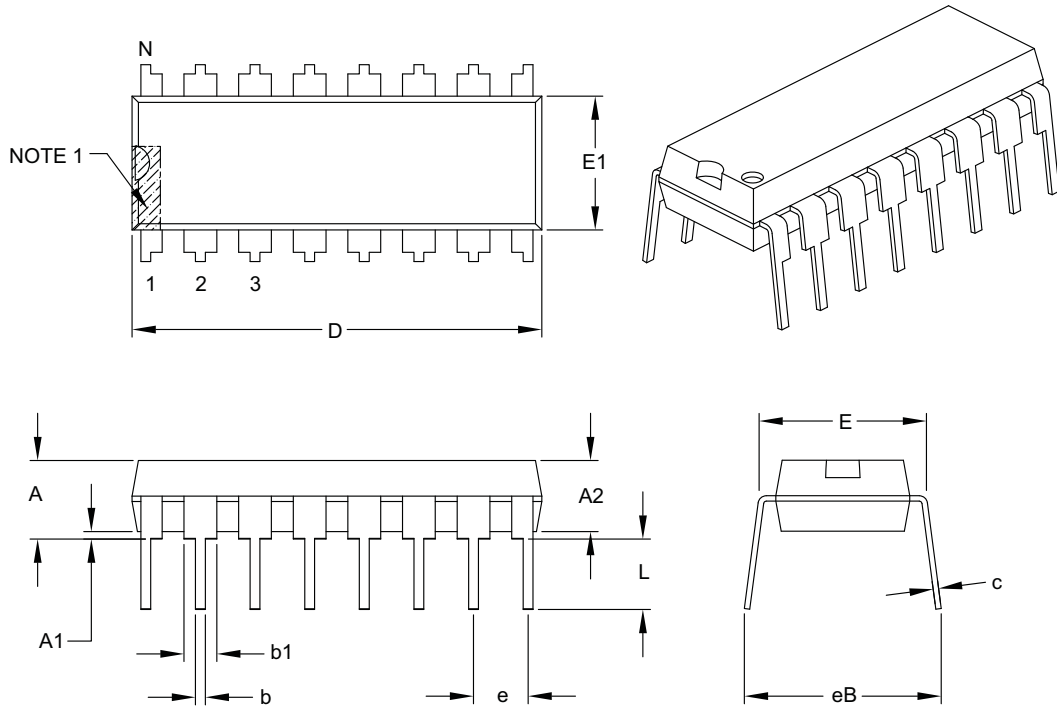
Legend:	XX...X	Customer-specific information
	Y	Year code (last digit of calendar year)
	YY	Year code (last 2 digits of calendar year)
	WW	Week code (week of January 1 is week '01')
	NNN	Alphanumeric traceability code
	(e3)	Pb-free JEDEC designator for Matte Tin (Sn)
	*	This package is Pb-free. The Pb-free JEDEC designator (e3) can be found on the outer packaging for this package.

Note: In the event the full Microchip part number cannot be marked on one line, it will be carried over to the next line, thus limiting the number of available characters for customer-specific information.

RE46C165/6/7/8

16-Lead Plastic Dual In-Line (P) – 300 mil Body [PDIP]

Note: For the most current package drawings, please see the Microchip Packaging Specification located at <http://www.microchip.com/packaging>



Dimension Limits	Units	INCHES		
		MIN	NOM	MAX
Number of Pins	N	16		
Pitch	e	.100 BSC		
Top to Seating Plane	A	–	–	.210
Molded Package Thickness	A2	.115	.130	.195
Base to Seating Plane	A1	.015	–	–
Shoulder to Shoulder Width	E	.290	.310	.325
Molded Package Width	E1	.240	.250	.280
Overall Length	D	.735	.755	.775
Tip to Seating Plane	L	.115	.130	.150
Lead Thickness	c	.008	.010	.015
Upper Lead Width	b1	.045	.060	.070
Lower Lead Width	b	.014	.018	.022
Overall Row Spacing §	eB	–	–	.430

Notes:

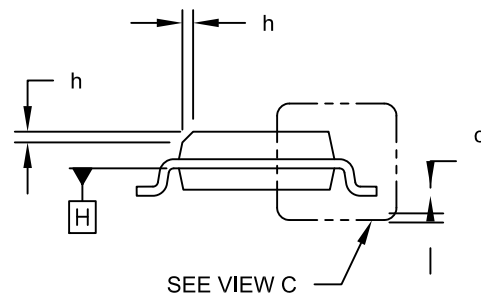
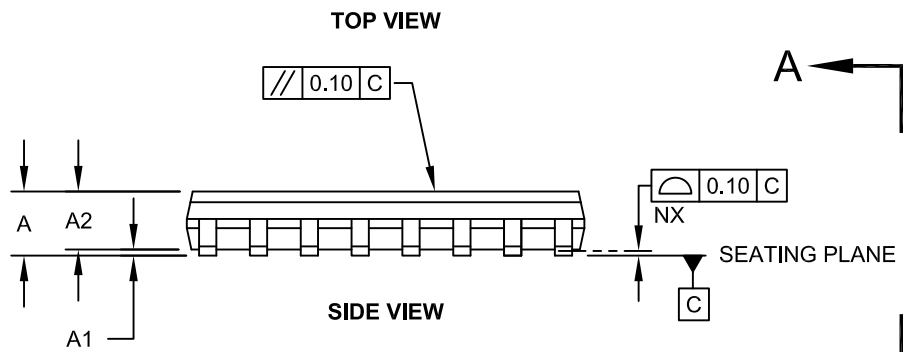
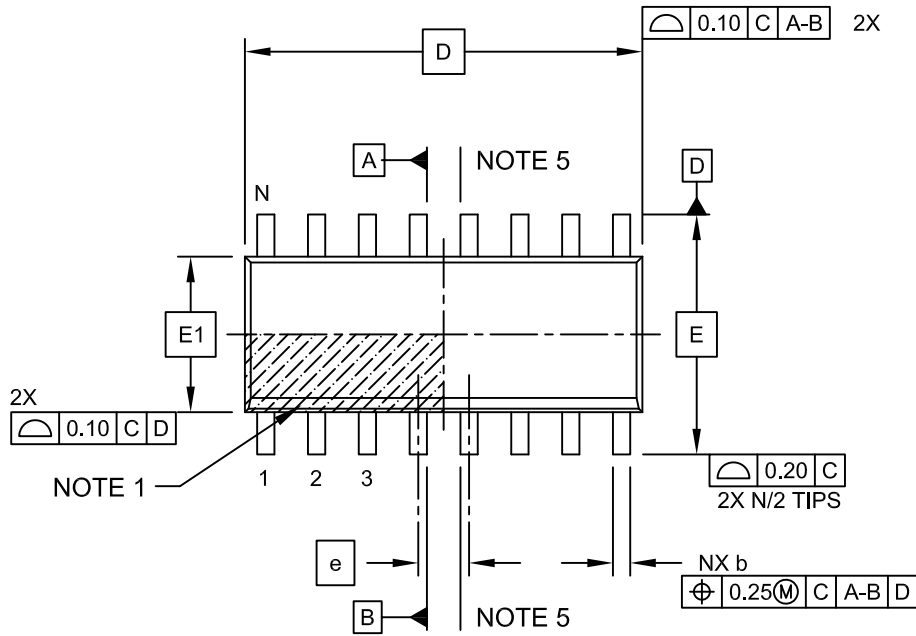
1. Pin 1 visual index feature may vary, but must be located within the hatched area.
2. § Significant Characteristic.
3. Dimensions D and E1 do not include mold flash or protrusions. Mold flash or protrusions shall not exceed .010" per side.
4. Dimensioning and tolerancing per ASME Y14.5M.

BSC: Basic Dimension. Theoretically exact value shown without tolerances.

Microchip Technology Drawing C04-017B

16-Lead Plastic Small Outline (SL) - Narrow, 3.90 mm Body [SOIC]

Note: For the most current package drawings, please see the Microchip Packaging Specification located at <http://www.microchip.com/packaging>

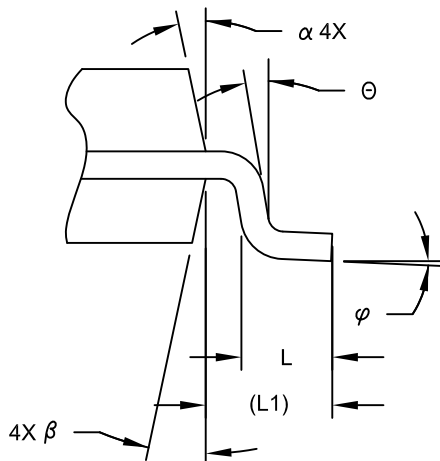


Microchip Technology Drawing No. C04-108C Sheet 1 of 2

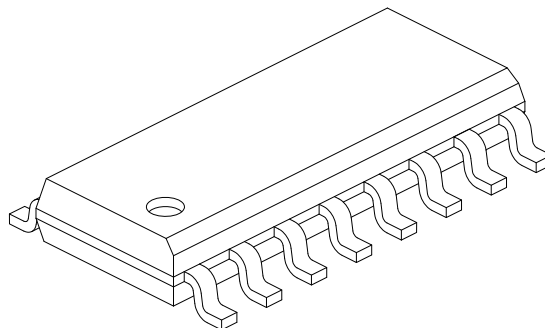
RE46C165/6/7/8

16-Lead Plastic Small Outline (SL) - Narrow, 3.90 mm Body [SOIC]

Note: For the most current package drawings, please see the Microchip Packaging Specification located at <http://www.microchip.com/packaging>



VIEW C



Dimension Limits	Units	MILLIMETERS		
		MIN	NOM	MAX
Number of Pins	N	16		
Pitch	e	1.27 BSC		
Overall Height	A	-	-	1.75
Molded Package Thickness	A2	1.25	-	-
Standoff §	A1	0.10	-	0.25
Overall Width	E	6.00 BSC		
Molded Package Width	E1	3.90 BSC		
Overall Length	D	9.90 BSC		
Chamfer (Optional)	h	0.25	-	0.50
Foot Length	L	0.40	-	1.27
Footprint	L1	1.04 REF		
Lead Angle	θ	0°	-	-
Foot Angle	ϕ	0°	-	8°
Lead Thickness	c	0.10	-	0.25
Lead Width	b	0.31	-	0.51
Mold Draft Angle Top	α	5°	-	15°
Mold Draft Angle Bottom	β	5°	-	15°

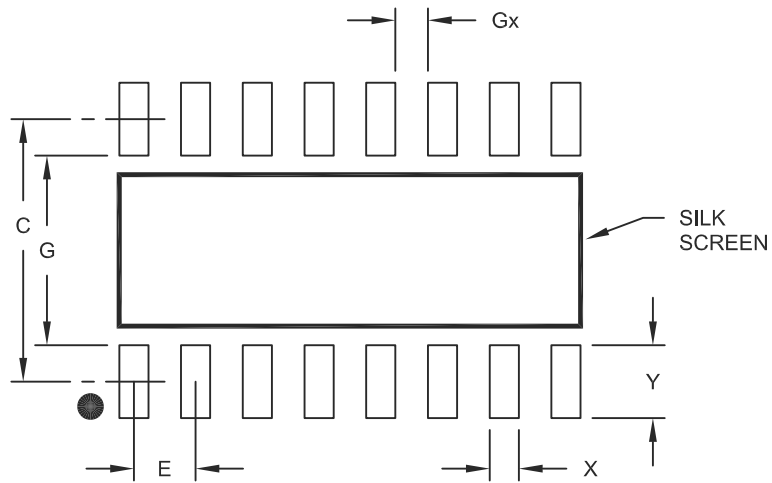
Notes:

- Pin 1 visual index feature may vary, but must be located within the hatched area.
- § Significant Characteristic
- Dimension D does not include mold flash, protrusions or gate burrs, which shall not exceed 0.15 mm per end. Dimension E1 does not include interlead flash or protrusion, which shall not exceed 0.25 mm per side.
- Dimensioning and tolerancing per ASME Y14.5M
 BSC: Basic Dimension, Theoretically exact value shown without tolerances.
 REF: Reference Dimension, usually without tolerance, for information purposes only.
- Datums A & B to be determined at Datum H.

Microchip Technology Drawing No. C04-108C Sheet 2 of 2

16-Lead Plastic Small Outline (SL) - Narrow, 3.90 mm Body [SOIC]

Note: For the most current package drawings, please see the Microchip Packaging Specification located at <http://www.microchip.com/packaging>



RECOMMENDED LAND PATTERN

		Units	MILLIMETERS		
		Dimension Limits	MIN	NOM	MAX
Contact Pitch	E	1.27 BSC			
Contact Pad Spacing	C	5.40			
Contact Pad Width	X			0.60	
Contact Pad Length	Y			1.50	
Distance Between Pads	Gx	0.67			
Distance Between Pads	G	3.90			

Notes:

1. Dimensioning and tolerancing per ASME Y14.5M

BSC: Basic Dimension. Theoretically exact value shown without tolerances.

Microchip Technology Drawing No. C04-2108A

RE46C165/6/7/8

NOTES:

APPENDIX A: REVISION HISTORY

Revision B (March 2016)

- Removed the 16-Lead SOIC (300 mil.) package reference from [Temperature Characteristics](#) table, from [Section 4.1 “Package Marking Information”](#) and from the [Product Identification System](#) section.
- Updated Package Drawings for 16-Lead SOIC (150 mil.) package in [Section 4.0 “Packaging Information”](#).

Revision A (May 2010)

- Original release of this document.

RE46C165/6/7/8

NOTES:

PRODUCT IDENTIFICATION SYSTEM

To order or obtain information, e.g., on pricing or delivery, refer to the factory or the listed sales office.

<u>PART NO.</u>	X	X ⁽¹⁾	XX	X
Device	Package	Tape and Reel	Number of Pins	Lead Free
<p>Device:</p> <p>RE46C165: CMOS Photoelectric Smoke Detector ASIC RE46C165T: CMOS Photoelectric Smoke Detector ASIC (Tape and Reel, SOIC only) RE46C165/7: CMOS Photoelectric Smoke Detector ASIC RE46C165/7T: CMOS Photoelectric Smoke Detector ASIC (Tape and Reel, SOIC only) RE46C166/8: CMOS Photoelectric Smoke Detector ASIC RE46C166/8T: CMOS Photoelectric Smoke Detector ASIC (Tape and Reel, SOIC only) RE46C165/6: CMOS Photoelectric Smoke Detector ASIC RE46C165/6T: CMOS Photoelectric Smoke Detector ASIC (Tape and Reel, SOIC only)</p> <p>Tape and Reel Option:</p> <p>T = Tape and Reel⁽¹⁾</p> <p>Package:</p> <p>E = Plastic Dual In-Line, 300 mil. Body, 16-Lead (PDIP) S = Small Plastic Outline – Narrow, 3.90 mm Body, 16-Lead (SOIC)</p>				
<p>Examples:</p> <p>a) RE46C165E16F: 16LD PDIP Package, Lead-Free b) RE46C165S16F: 16LD SOIC Package, Lead-Free c) RE46C165S16TF: 16LD SOIC Package, Tape and Reel, Lead-Free</p> <p>a) RE46C166E16F: 16LD PDIP Package, Lead-Free b) RE46C166S16F: 16LD SOIC Package, Lead-Free c) RE46C166S16TF: 16LD SOIC Package, Tape and Reel, Lead-Free</p> <p>a) RE46C167E16F: 16LD PDIP Package, Lead-Free b) RE46C167S16F: 16LD SOIC Package, Lead-Free c) RE46C167S16TF: 16LD SOIC Package, Tape and Reel, Lead-Free</p> <p>a) RE46C168E16F: 16LD PDIP Package, Lead-Free b) RE46C168S16F: 16LD SOIC Package, Lead-Free c) RE46C168S16TF: 16LD SOIC Package, Tape and Reel, Lead-Free</p> <p>Note 1: Tape and Reel identifier only appears in the catalog part number description. This identifier is used for ordering purposes and is not printed on the device package. Check with your Microchip Sales Office for package availability with the Tape and Reel option.</p>				

RE46C165/6/7/8

NOTES:

Note the following details of the code protection feature on Microchip devices:

- Microchip products meet the specification contained in their particular Microchip Data Sheet.
- Microchip believes that its family of products is one of the most secure families of its kind on the market today, when used in the intended manner and under normal conditions.
- There are dishonest and possibly illegal methods used to breach the code protection feature. All of these methods, to our knowledge, require using the Microchip products in a manner outside the operating specifications contained in Microchip's Data Sheets. Most likely, the person doing so is engaged in theft of intellectual property.
- Microchip is willing to work with the customer who is concerned about the integrity of their code.
- Neither Microchip nor any other semiconductor manufacturer can guarantee the security of their code. Code protection does not mean that we are guaranteeing the product as “unbreakable.”

Code protection is constantly evolving. We at Microchip are committed to continuously improving the code protection features of our products. Attempts to break Microchip's code protection feature may be a violation of the Digital Millennium Copyright Act. If such acts allow unauthorized access to your software or other copyrighted work, you may have a right to sue for relief under that Act.

Information contained in this publication regarding device applications and the like is provided only for your convenience and may be superseded by updates. It is your responsibility to ensure that your application meets with your specifications. MICROCHIP MAKES NO REPRESENTATIONS OR WARRANTIES OF ANY KIND WHETHER EXPRESS OR IMPLIED, WRITTEN OR ORAL, STATUTORY OR OTHERWISE, RELATED TO THE INFORMATION, INCLUDING BUT NOT LIMITED TO ITS CONDITION, QUALITY, PERFORMANCE, MERCHANTABILITY OR FITNESS FOR PURPOSE. Microchip disclaims all liability arising from this information and its use. Use of Microchip devices in life support and/or safety applications is entirely at the buyer's risk, and the buyer agrees to defend, indemnify and hold harmless Microchip from any and all damages, claims, suits, or expenses resulting from such use. No licenses are conveyed, implicitly or otherwise, under any Microchip intellectual property rights unless otherwise stated.

Microchip received ISO/TS-16949:2009 certification for its worldwide headquarters, design and wafer fabrication facilities in Chandler and Tempe, Arizona; Gresham, Oregon and design centers in California and India. The Company's quality system processes and procedures are for its PIC® MCUs and dsPIC® DSCs, KEELoC® code hopping devices, Serial EEPROMs, microperipherals, nonvolatile memory and analog products. In addition, Microchip's quality system for the design and manufacture of development systems is ISO 9001:2000 certified.

**QUALITY MANAGEMENT SYSTEM
CERTIFIED BY DNV
= ISO/TS 16949 =**

Trademarks

The Microchip name and logo, the Microchip logo, AnyRate, dsPIC, FlashFlex, flexPWR, Heldo, JukeBlox, KeeLoq, KeeLoq logo, Klear, LANCheck, LINK MD, MediaLB, MOST, MOST logo, MPLAB, OptoLyzer, PIC, PICSTART, PIC32 logo, RightTouch, SpyNIC, SST, SST Logo, SuperFlash and UNI/O are registered trademarks of Microchip Technology Incorporated in the U.S.A. and other countries.

ClockWorks, The Embedded Control Solutions Company, ETHERSYNCH, Hyper Speed Control, HyperLight Load, IntelliMOS, mTouch, Precision Edge, and QUIET-WIRE are registered trademarks of Microchip Technology Incorporated in the U.S.A.

Analog-for-the-Digital Age, Any Capacitor, AnyIn, AnyOut, BodyCom, chipKIT, chipKIT logo, CodeGuard, dsPICDEM, dsPICDEM.net, Dynamic Average Matching, DAM, ECAN, EtherGREEN, In-Circuit Serial Programming, ICSP, Inter-Chip Connectivity, JitterBlocker, KlearNet, KlearNet logo, MiWi, motorBench, MPASM, MPF, MPLAB Certified logo, MPLIB, MPLINK, MultiTRAK, NetDetach, Omniscient Code Generation, PICDEM, PICDEM.net, PICkit, PICtail, PureSilicon, RightTouch logo, REAL ICE, Ripple Blocker, Serial Quad I/O, SQL, SuperSwitcher, SuperSwitcher II, Total Endurance, TSHARC, USBCheck, VariSense, ViewSpan, WiperLock, Wireless DNA, and ZENA are trademarks of Microchip Technology Incorporated in the U.S.A. and other countries.

SQTP is a service mark of Microchip Technology Incorporated in the U.S.A.

Silicon Storage Technology is a registered trademark of Microchip Technology Inc. in other countries.

GestIC is a registered trademarks of Microchip Technology Germany II GmbH & Co. KG, a subsidiary of Microchip Technology Inc., in other countries.

All other trademarks mentioned herein are property of their respective companies.

© 2010-2016, Microchip Technology Incorporated, Printed in the U.S.A., All Rights Reserved.

ISBN: 978-1-5224-0434-7



MICROCHIP

Worldwide Sales and Service

AMERICAS

Corporate Office

2355 West Chandler Blvd.
Chandler, AZ 85224-6199
Tel: 480-792-7200
Fax: 480-792-7277
Technical Support:
[http://www.microchip.com/
support](http://www.microchip.com/support)

Web Address:

www.microchip.com

Atlanta

Duluth, GA
Tel: 678-957-9614
Fax: 678-957-1455

Austin, TX

Tel: 512-257-3370

Boston

Westborough, MA
Tel: 774-760-0087
Fax: 774-760-0088

Chicago

Itasca, IL
Tel: 630-285-0071
Fax: 630-285-0075

Cleveland

Independence, OH
Tel: 216-447-0464
Fax: 216-447-0643

Dallas

Addison, TX
Tel: 972-818-7423
Fax: 972-818-2924

Detroit

Novi, MI
Tel: 248-848-4000

Houston, TX

Tel: 281-894-5983

Indianapolis

Noblesville, IN
Tel: 317-773-8323
Fax: 317-773-5453

Los Angeles

Mission Viejo, CA
Tel: 949-462-9523
Fax: 949-462-9608

New York, NY

Tel: 631-435-6000

San Jose, CA

Tel: 408-735-9110

Canada - Toronto

Tel: 905-673-0699
Fax: 905-673-6509

ASIA/PACIFIC

Asia Pacific Office

Suites 3707-14, 37th Floor
Tower 6, The Gateway
Harbour City, Kowloon

Hong Kong

Tel: 852-2943-5100
Fax: 852-2401-3431

Australia - Sydney

Tel: 61-2-9868-6733
Fax: 61-2-9868-6755

China - Beijing

Tel: 86-10-8569-7000
Fax: 86-10-8528-2104

China - Chengdu

Tel: 86-28-8665-5511
Fax: 86-28-8665-7889

China - Chongqing

Tel: 86-23-8980-9588
Fax: 86-23-8980-9500

China - Dongguan

Tel: 86-769-8702-9880

China - Hangzhou

Tel: 86-571-8792-8115
Fax: 86-571-8792-8116

China - Hong Kong SAR

Tel: 852-2943-5100
Fax: 852-2401-3431

China - Nanjing

Tel: 86-25-8473-2460
Fax: 86-25-8473-2470

China - Qingdao

Tel: 86-532-8502-7355
Fax: 86-532-8502-7205

China - Shanghai

Tel: 86-21-5407-5533
Fax: 86-21-5407-5066

China - Shenyang

Tel: 86-24-2334-2829
Fax: 86-24-2334-2393

China - Shenzhen

Tel: 86-755-8864-2200
Fax: 86-755-8203-1760

China - Wuhan

Tel: 86-27-5980-5300
Fax: 86-27-5980-5118

China - Xian

Tel: 86-29-8833-7252
Fax: 86-29-8833-7256

ASIA/PACIFIC

China - Xiamen

Tel: 86-592-2388138
Fax: 86-592-2388130

China - Zhuhai

Tel: 86-756-3210040
Fax: 86-756-3210049

India - Bangalore

Tel: 91-80-3090-4444
Fax: 91-80-3090-4123

India - New Delhi

Tel: 91-11-4160-8631
Fax: 91-11-4160-8632

India - Pune

Tel: 91-20-3019-1500

Japan - Osaka

Tel: 81-6-6152-7160
Fax: 81-6-6152-9310

Japan - Tokyo

Tel: 81-3-6880-3770
Fax: 81-3-6880-3771

Korea - Daegu

Tel: 82-53-744-4301
Fax: 82-53-744-4302

Korea - Seoul

Tel: 82-2-554-7200
Fax: 82-2-558-5932 or
82-2-558-5934

Malaysia - Kuala Lumpur

Tel: 60-3-6201-9857
Fax: 60-3-6201-9859

Malaysia - Penang

Tel: 60-4-227-8870
Fax: 60-4-227-4068

Philippines - Manila

Tel: 63-2-634-9065
Fax: 63-2-634-9069

Singapore

Tel: 65-6334-8870
Fax: 65-6334-8850

Taiwan - Hsin Chu

Tel: 886-3-5778-366
Fax: 886-3-5770-955

Taiwan - Kaohsiung

Tel: 886-7-213-7828

Taiwan - Taipei

Tel: 886-2-2508-8600
Fax: 886-2-2508-0102

Thailand - Bangkok

Tel: 66-2-694-1351
Fax: 66-2-694-1350

EUROPE

Austria - Wels

Tel: 43-7242-2244-39
Fax: 43-7242-2244-393

Denmark - Copenhagen

Tel: 45-4450-2828
Fax: 45-4485-2829

France - Paris

Tel: 33-1-69-53-63-20
Fax: 33-1-69-30-90-79

Germany - Dusseldorf

Tel: 49-2129-3766400

Germany - Karlsruhe

Tel: 49-721-625370

Germany - Munich

Tel: 49-89-627-144-0
Fax: 49-89-627-144-44

Italy - Milan

Tel: 39-0331-742611
Fax: 39-0331-466781

Italy - Venice

Tel: 39-049-7625286

Netherlands - Drunen

Tel: 31-416-690399
Fax: 31-416-690340

Poland - Warsaw

Tel: 48-22-3325737

Spain - Madrid

Tel: 34-91-708-08-90
Fax: 34-91-708-08-91

Sweden - Stockholm

Tel: 46-8-5090-4654

UK - Wokingham

Tel: 44-118-921-5800
Fax: 44-118-921-5820

07/14/15