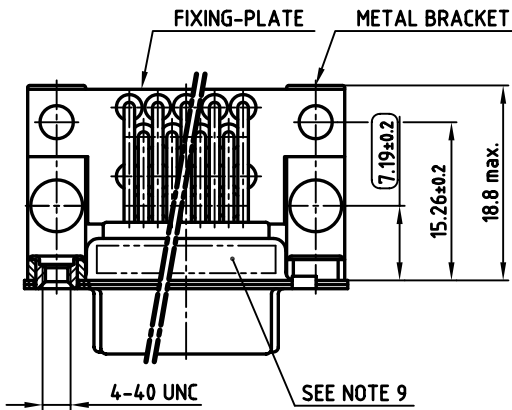
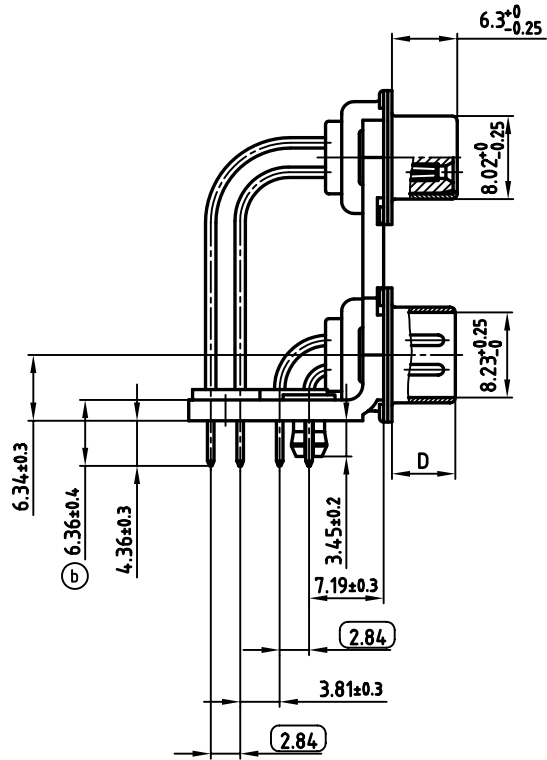
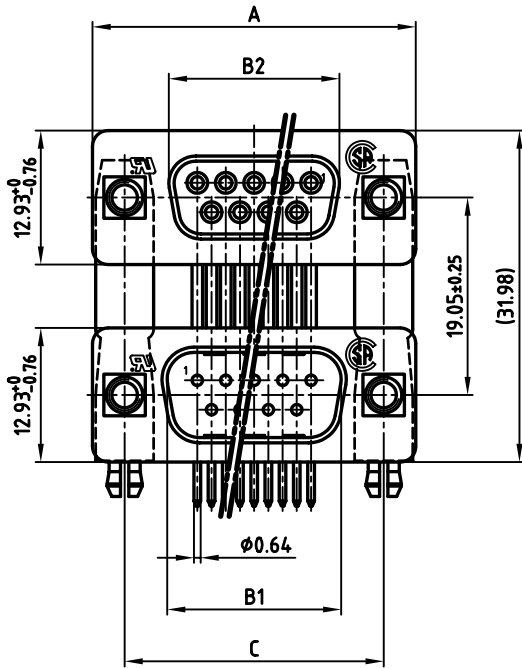


used for: D-SUB Dual Port

POS.	A ^{-0.76}	B1 ^{+0.25}	B2 ^{-0.25}	C	D ^{-0.3}
2x 9	31.19	16.79	16.46	25.00 ^{+0.12 -0.13}	6.12
2x15	39.52	25.12	24.79	33.30 ^{+0.15 -0.1}	6.12
2x25	53.42	38.84	38.50	47.04 ^{±0.13}	5.99
2x37	69.70	55.30	54.96	63.50 ^{±0.13}	5.99

PLATING	2 x 9pos.	2 x 15pos.	2 x 25pos.	2 x 37pos.
8µ" HARD GOLD OVER min. 50µ" NICKEL	164A19959X	164A19969X	164A19979X	164A19989X
30µ" HARD GOLD OVER min. 50µ" NICKEL	164C19959X	164C19969X	164C19979X	164C19989X



NOTES:

- METALSHELLS: STEEL; min. 320µ" TIN
- INSULATORS: PBT GF UL 94 V-0, BLACK
- CONTACTS: COPPER ALLOY
PLATING: SEE TABLE
- METAL BRACKET: STEEL; min. 320µ" TIN over 80µ" NICKEL
- THREADED INSERT: COPPER ALLOY; min. 200µ" TIN over 80µ" NICKEL
- FIXING-PLATE: PBT GF UL 94 V-0, BLACK
- P.C.B. HOLE DRILLINGS ON SHEET 2 + 3
- MAXIMUM TORQUE VALUE FOR THREAD: 6" LBS
- CONNECTOR IS PART MARKED: PART-NO. CONEC Y/WW
- 2.84 = CRITICAL DIMENSION

Directive 2002/95/EC
"RoHS"
Compliant

APPROVAL # FREIGABE # DEBLOCAGE # AUTORIZACION # APPROVAL	
CUSTOMER APPROVAL DATE:	
NAME:	TITEL:
COMPANY NAME:	
APPROVAL # FREIGABE # DEBLOCAGE # AUTORIZACION # APPROVAL	

THIS DRAWING MAY NOT BE COPIED OR REPRODUCED IN ANY WAY, AND MAY NOT BE PASSED ON TO A THIRD PARTY, WITHOUT WRITTEN PERMISSION. OWNERSHIP AND COPYRIGHT OF CONEC Gmbh DO NOT ALTER CAD DRAWING BY HAND

1 x b	Ä 1919	09.01.2004	Lehmen
rev.	description	date	name

tolerance		scale:	2:1
		material:	SEE NOTES
2003	date	name	title: DUAL PORT 19.05mm FEMALE / MALE 2x9pos. - 2x37pos. with threaded insert and clip
drawn	19.12.	Lehmenkühler	
appd.	19.12.	Mickenbecker	
norm	DIN 41652		
d-old			dwg no: AutoCAD 2000 DIN-A
			3
			sh:1/3
part no: SEE TABLE			

6

5

4

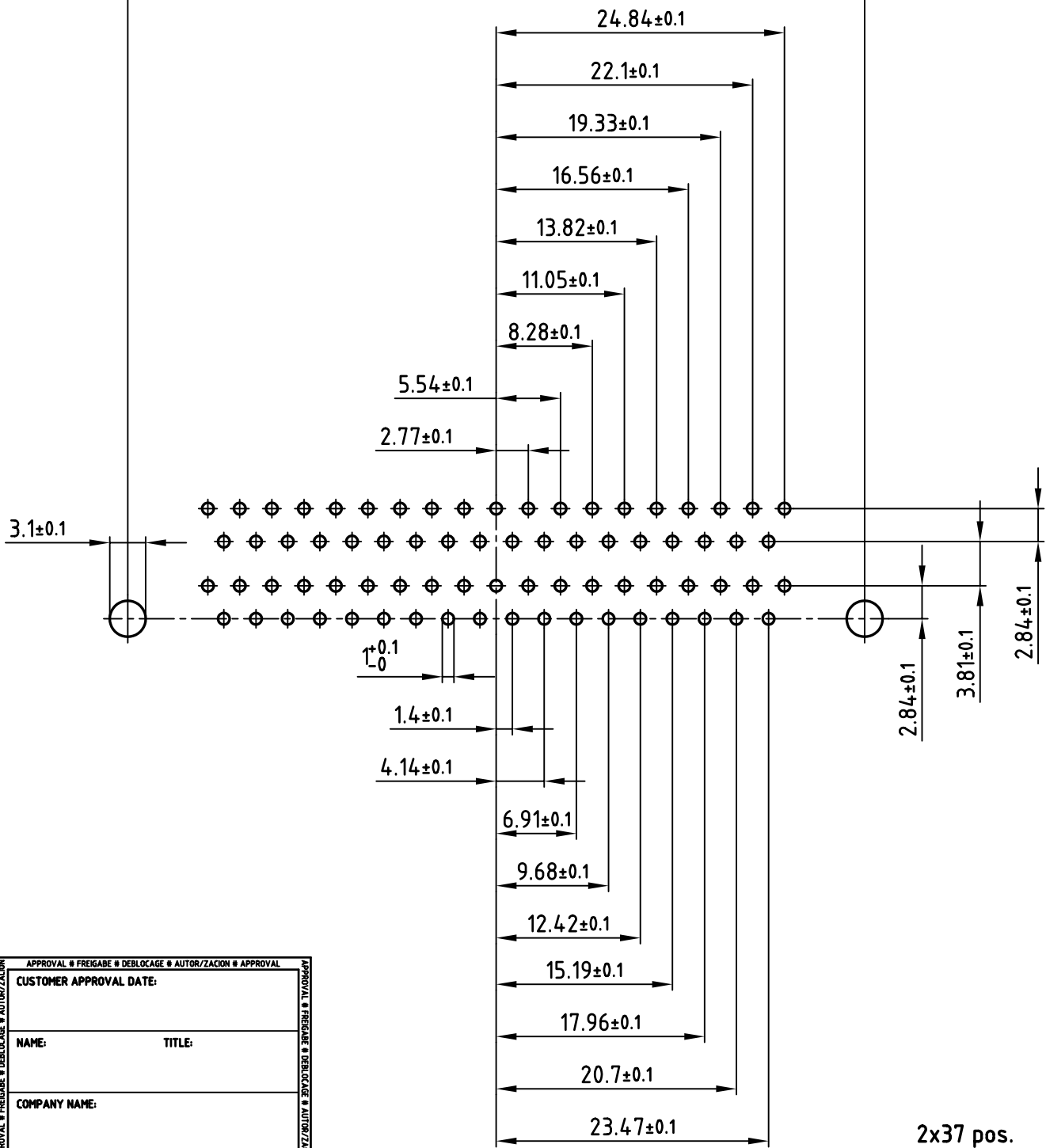
3

2

1

used for: D-SUB Dual Port

63.5±0.1



APPROVAL # FREIGABE # DEBLOCAGE # AUTOR/ZACION # APPROVAL	
CUSTOMER APPROVAL DATE:	
NAME:	TITLE:
COMPANY NAME:	
APPROVAL # FREIGABE # DEBLOCAGE # AUTOR/ZACION # APPROVAL	

THIS DRAWING MAY NOT BE COPIED OR REPRODUCED IN ANY WAY, AND MAY NOT BE PASSED ON TO A THIRD PARTY WITHOUT WRITTEN PERMISSION.
 OWNERSHIP AND COPYRIGHT OF CONEC GmbH
 DO NOT ALTER CAD DRAWING BY HAND

tolerance		 dim. in mm	
2003	date	name	
drawn	19.12.	Lehmenkühler	
appd.	19.12.	Mickenbecker	
norm	DIN 41652		
d-old			
rev.	description	date	name

scale:	2:1	
material:	SEE SHEET 1	
title:	P.C.B. HOLE DRILLINGS DUAL PORT 19.05mm FEMALE / MALE with threaded insert and clip	
dwg no:	AutoCAD 2000	DIN-A
	16K1A1072	4
		sh:3/3
part no:	SEE SHEET 1	

4

3

2

1

F

F

E

E

D

D

C

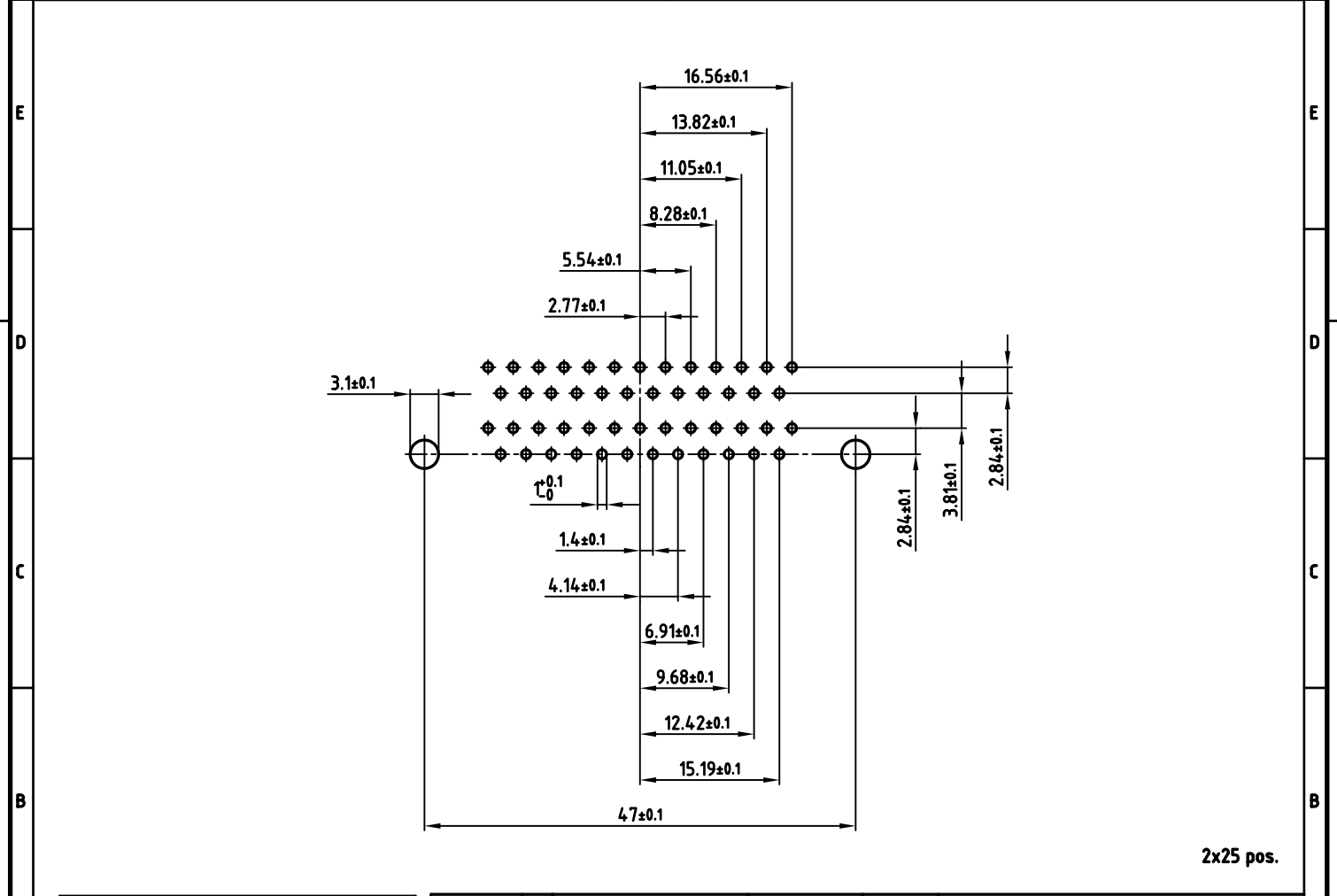
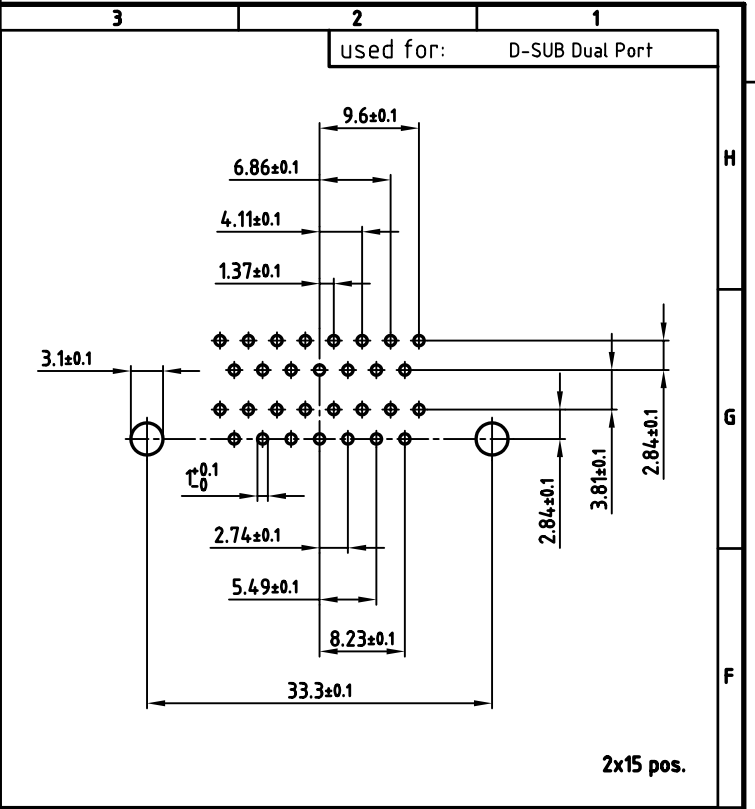
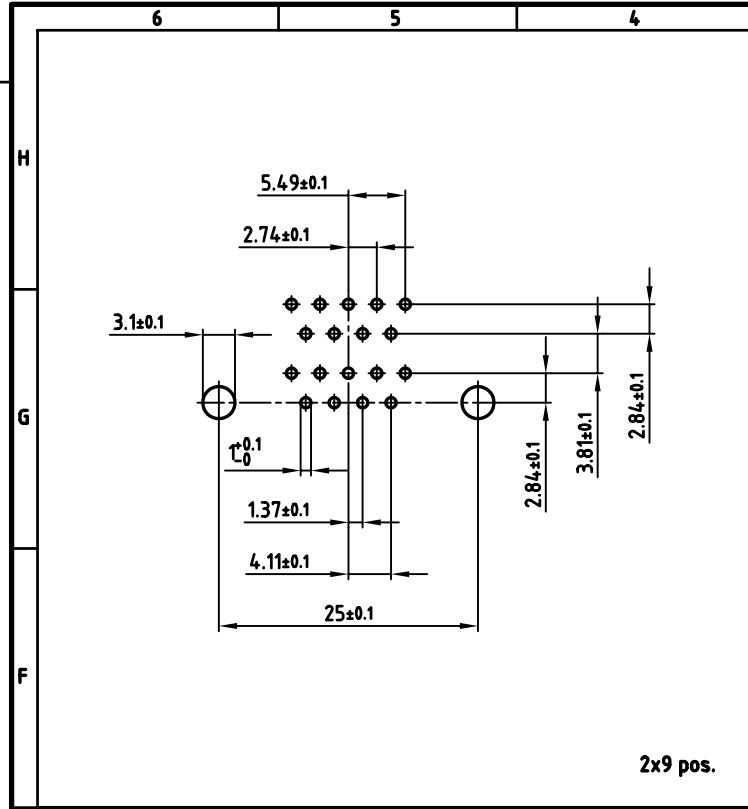
C

B

B

A

A



APPROVAL # FREIGABE # DEBLOCAGE # AUTORIZACION # APPROVAL

CUSTOMER APPROVAL DATE:

NAME: _____ TITEL: _____

COMPANY NAME: _____

APPROVAL # FREIGABE # DEBLOCAGE # AUTORIZACION # APPROVAL

THIS DRAWING MAY NOT BE COPIED OR REPRODUCED IN ANY WAY, AND MAY NOT BE PASSED ON TO A THIRD PARTY, WITHOUT WRITTEN PERMISSION. OWNERSHIP AND COPYRIGHT OF CONEC GmbH DO NOT ALTER CAD DRAWING BY HAND

rev.	description	date	name

tolerance	
2003	date
drawn	19.12. Lehmenkühler
appd.	19.12. Mickenbecker
norm	DIN 41652
d-old	

scale: 2:1

material: SEE SHEET 1

title: P.C.B. HOLE DRILLINGS
DUAL PORT 19.05mm FEMALE / MALE
with threaded insert and clip

dwg no: AutoCAD 2000 DIN-A
16K1A1072 3 sh:2/3

part no: SEE SHEET 1