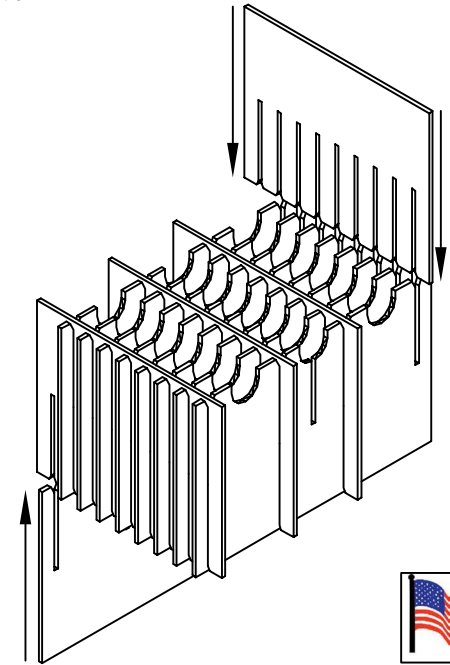
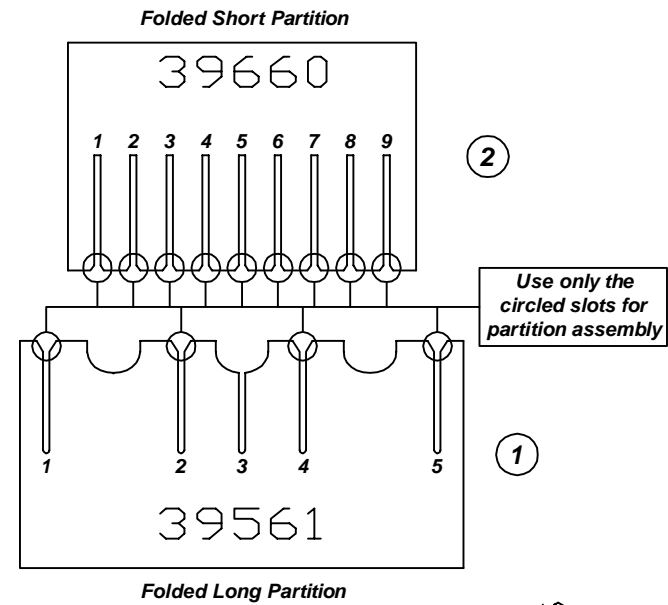
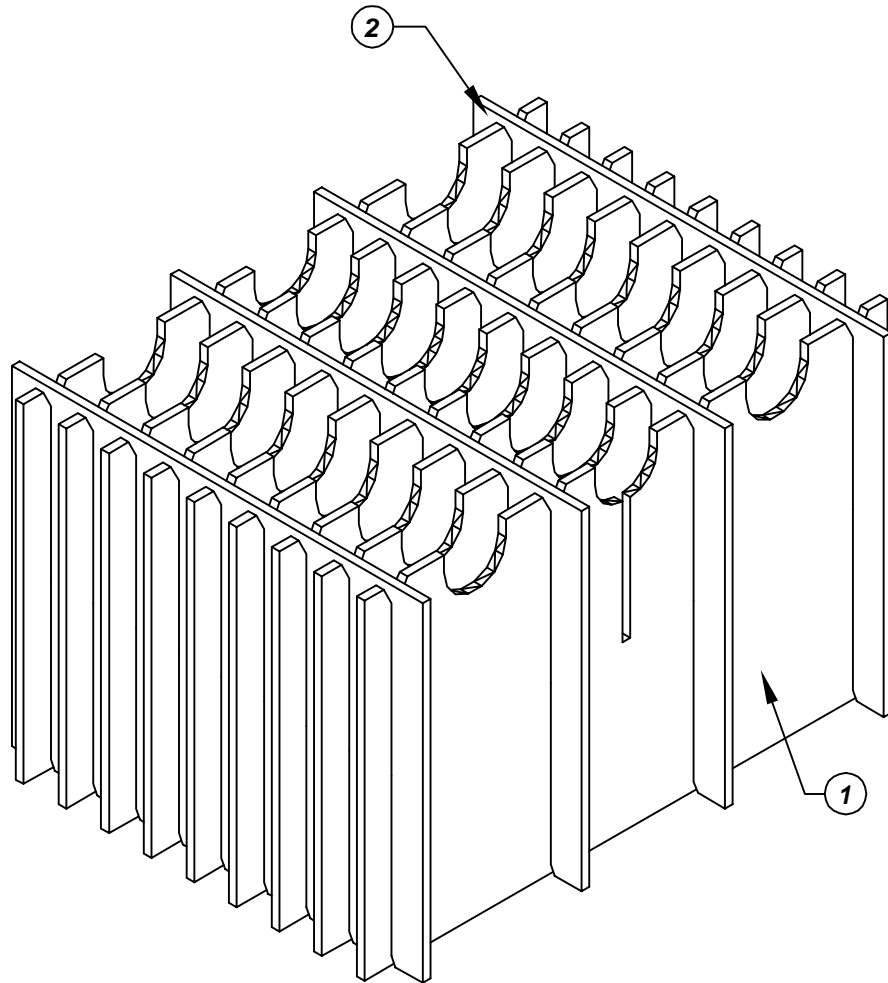


Assembly Instructions for - 37257



Made in America

F/N ①	Part # 39561	Dimensions: 21-1/2" x 16-7/8"	Description: 439/403/434-LP Long Partition	Qty: 9
F/N ②	Part # 39660	Dimensions: 21-1/2" x 13-1/8"	Description: 439-SP Short Partition	Qty: 4

37257 - 30 Cell Inplant Handler Cell Size - 10-3/4" x 4-5/8" x 1"

Notes:
For use with the following storage container & lid:
37513 - Storage Container
37551 - Lid

PROTEKTIVE PAK
13520 MONTE VISTA AVENUE, CHINO, CA 91710
PHONE (909) 627-2578, FAX (909) 363-7331
ProtectivePak.com



DRAWING NUMBER
IPH-37257

DATE
Dec. 2007