



CATALOGUE

SSL Connector

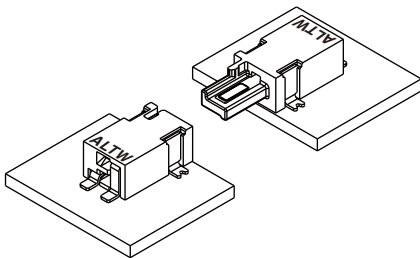


Range Overview

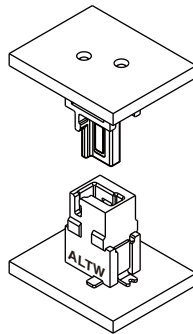
SSL 1.1

Board to Board

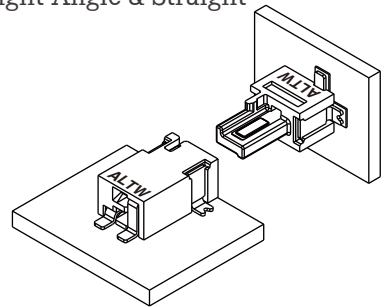
Right Angle



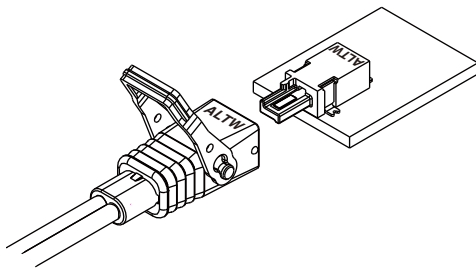
Straight



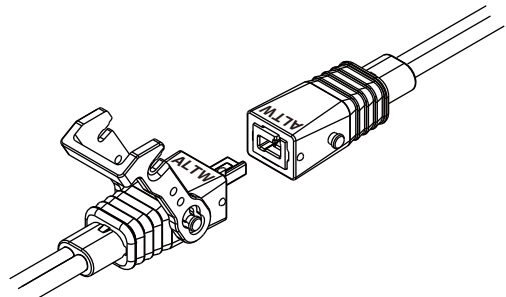
Right Angle & Straight



Board to Wire

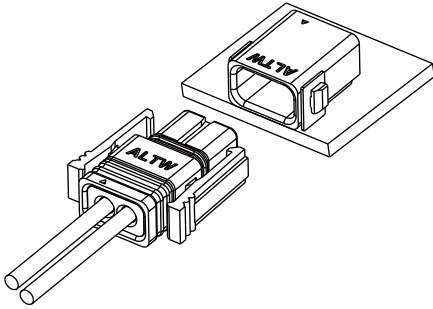


Wire to Wire

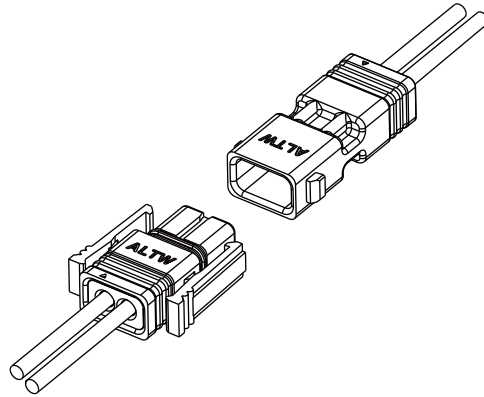


SSL 1.2 (IP 68)

└ Wire to Board

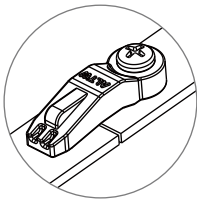


└ Wire to Wire



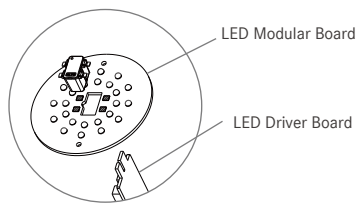
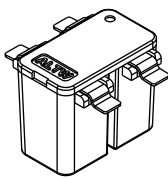
SSL 1.3 The Bridge

└ Jumper



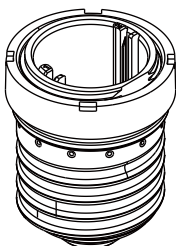
SSL 2.1 Inverted Thru Board

└ Receptacle



SSL 2.3 EZ-B for E26/27 Bulb

└ Screw Base

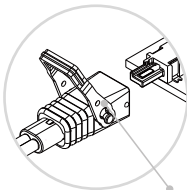
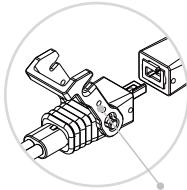


【Note】 Design and specification are subject to change without notice.

Specification | SSL 1.1

Identifications	SSL 1.1 DC Connector
Description	Board to Board Board to Wire Wire to Wire
Current Rating / Data	3A per pin (2, 4 & 6 pins available)
Voltage Rating	Max100 VAC / VDC
Material	Contact: Copper Alloy, Copper Alloy, Gold over Nickel Plated Housing: Thermoplastic, UL 94V-0 Rated Hood: Thermoplastic, UL 94V-0 Rated Lock: Nylon (PA66), UL 94V-0 Rated SR: PP, UL 94V-0 Rated UL recognized wire & flat cable available
Temperature Range	PCB Mount: -40°C ~ 105°C Wire Assemblies: -40°C ~ 100°C
Contact Resistance	≤ 20m Ω
Insulation Resistance	≥ 1000MΩ at 250Vdc
Durability	100 cycles
Breakdown Voltage	1200 Vac
More to know	UL1977 / cUL / CSA C22.2

Ordering Information | SSL 1.1

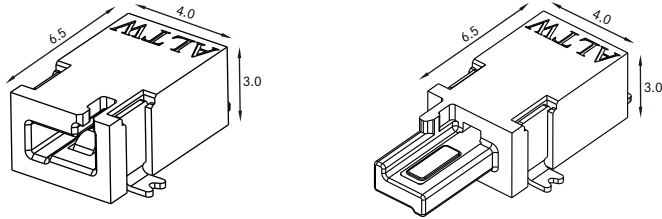
1	2	3	4	5	6	7	8
Connector Series (11) SSL 1.1 None Waterproof Series							
Connector (Housing) Gender (J) Jack (P) Plug							
Number of Contacts 2,4, 6 contacts e.g. (2) = 2 Contacts							
Connector Type > For PCB Mount Type (A) SMT Board Straight with Post (C) SMT Board Right Angle with Post (D) SMT Board Right Angle without Post		> For Wire Assembly (L) Wire Assembly, Straight, With SR					
Wires Assembly Options > For PCB Mount Type (00) For PCB Mount Type		> For Wire Assembly (2J) 2-End Jack Connector (2P) 2-End Plug Connector (JP) End 1: Jack, End 2: Plug, (JO) End 1: Jack, End 2: Open (PO) End 1: Plug, End 2: Open					
Lock Option (0) None (Without Lock) (B) W2B Lock in End 1 (W) W2W Lock in End 1 (D) With Two W2B Lock		(T) With Two W2W Lock (S) W2B Lock in End 1, W2W Lock in End 2					
							
Wire to Board Lock (W2B Lock)		Wire to Wire Lock (W2W Lock)					
Wire Size > For PCB Mount Type (00) Applicable for SMT Board		> For Wire Assembly (22) 22 AWG					
Wire Assembly / Wires Type > For PCB Mount Type (001), (002)..... Without Wire : Different Versions		> For Wire Assembly (□)+(■) : Wire Type + Wire Length e.g. (A01) = UL recognized wire + 10cm (□) : Wire Type (A) UL recognized wire (D) UL recognized flat cable		(■) : Length From 100mm~9900mm e.g. (01) = 100mm, (02) = 200mm, (03) = 300mm *Every 100mm as per extension			

[Note] Design and specification are subject to change without notice.

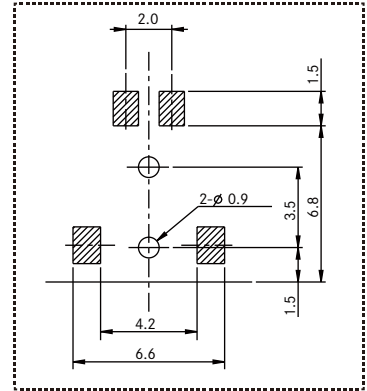
Physical Dimension | SSL 1.1

▾ PCB Mount > Right Angle

>> 2P

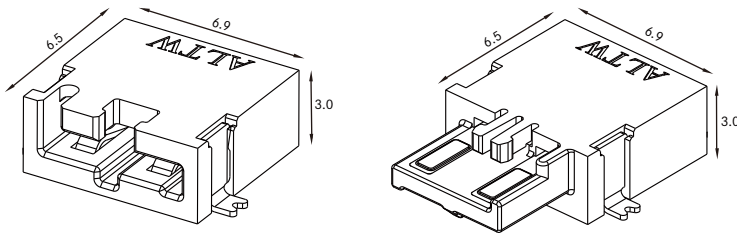


Recommended PCB Layout

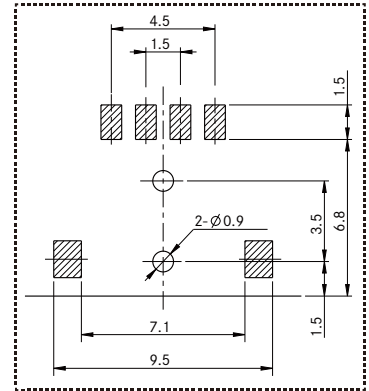


Unit: mm

>> 4P

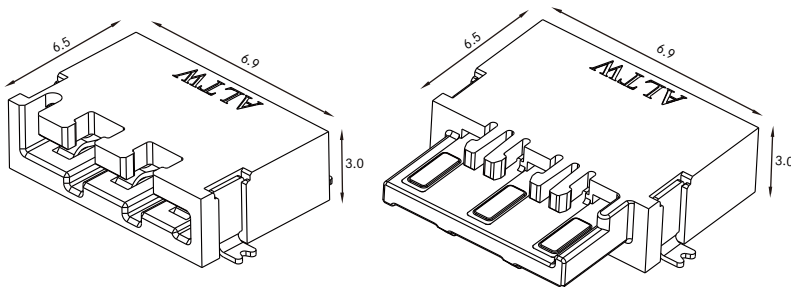


Recommended PCB Layout

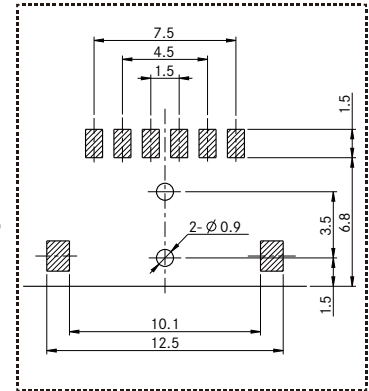


Unit: mm

>> 6P



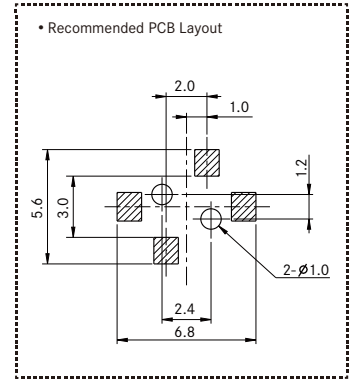
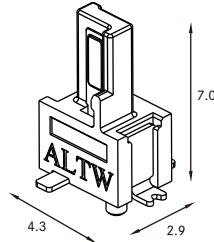
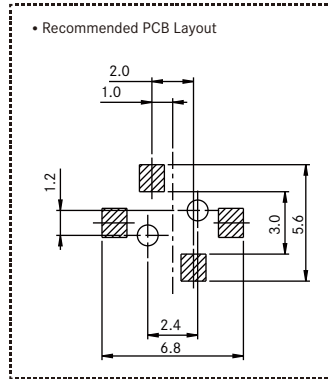
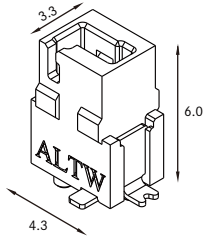
Recommended PCB Layout



Unit: mm

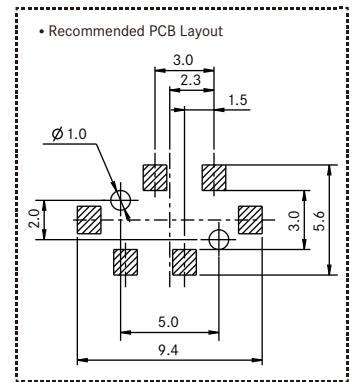
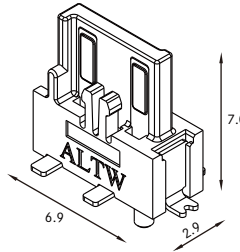
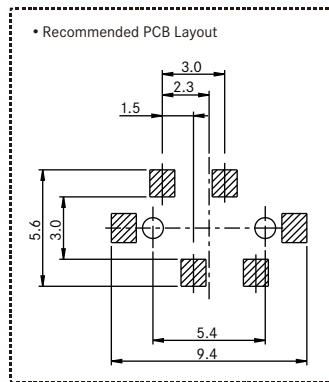
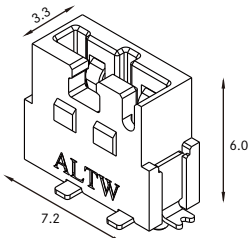
▾ PCB Mount > Straight

>> 2P



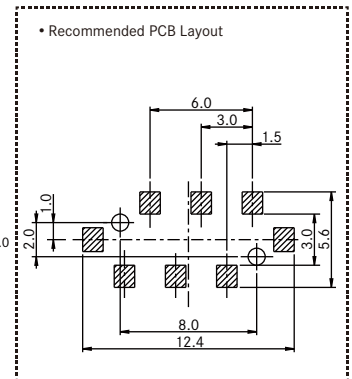
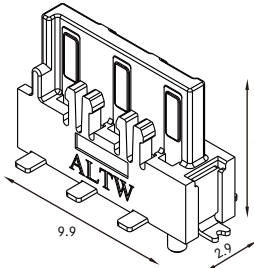
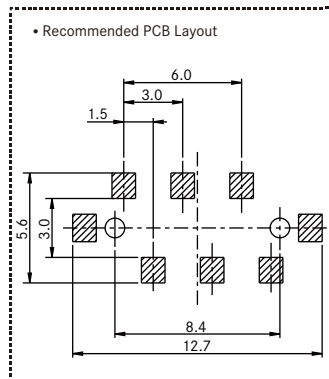
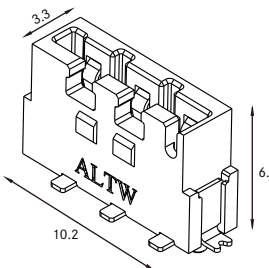
Unit: mm

>> 4P



Unit: mm

>> 6P

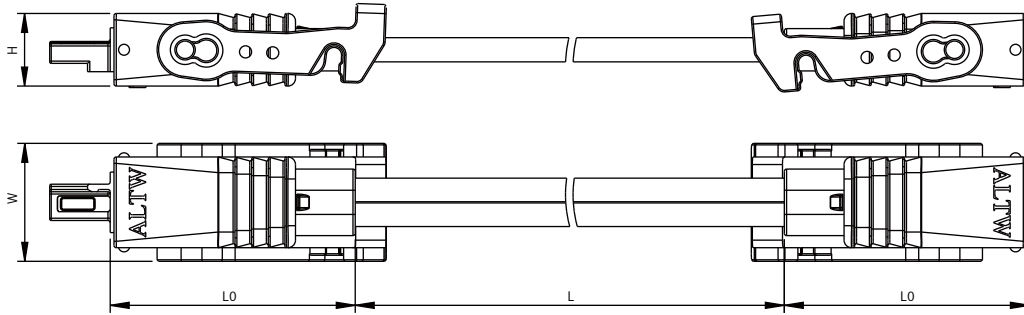


Unit: mm

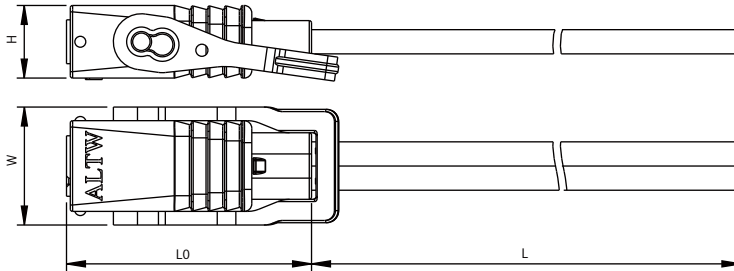
【Note】 Design and specification are subject to change without notice.

Wire Assembly

>> Flat Cable



>> Wire

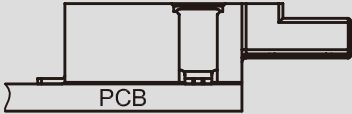
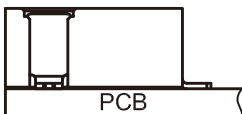










	L0	H	W	Cable Length (L)
2P	18.2	4.8	7.8	Various cable length available upon request
4P	18.2	4.8	11.2	
6P	18.2	4.8	14.2	

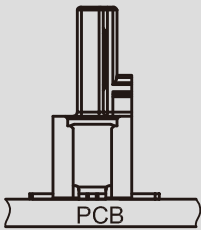
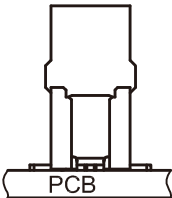
Unit: mm

Find Our Standard Products | SSL 1.1

Board to Board > Right Angle

		
	 PCB Mount (Right Angle) ; With post (C) or without post (D)	 PCB Mount (Right Angle) ; With post (C) or without post (D)
	Plug	Jack
2P	SSL11-P 2  00-000001	SSL11-J 2  00-000001
4P	SSL11-P 4  00-000001	SSL11-J 4  00-000001
6P	SSL11-P 6  00-000001	SSL11-J 6  00-000001

Board to Board > Straight

		
	Plug	Jack
2P	SSL11-P2A00-000001	SSL11-J2A00-000001
4P	SSL11-P4A00-000001	SSL11-J4A00-000001
6P	SSL11-P6A00-000001	SSL11-J6A00-000001

【Note】 Design and specification are subject to change without notice.

Board to Board > Right Angle & Straight

	Plug	Jack
2P	SSL11-P 2 4 00-000001	SSL11-J 2 4 00-000001
4P	SSL11-P 4 4 00-000001	SSL11-J 4 4 00-000001
6P	SSL11-P 6 4 00-000001	SSL11-J 6 4 00-000001

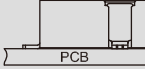

Board to Wire

<p>4 PCB Mount (Right Angle) ; With post (C) or without post (D)</p>					
Mount Type		End 1 + End 2	Cable Type	Part Number	
2P	Right Angle Plug	SSL11-P2 4 00-000001	Jack + Open End	Wire	SSL11-J2LJ0-B22A XX *
4P		SSL11-P4 4 00-000001			SSL11-J4LJ0-B22A XX *
6P		SSL11-P6 4 00-000001			SSL11-J6LJ0-B22A XX *

***XX**: Please choose the cable length from 100mm ~ 9900mm
e.g. (01) = 100mm, (02) = 200mm, (03) = 300mm


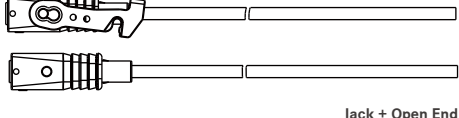
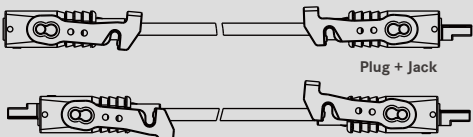
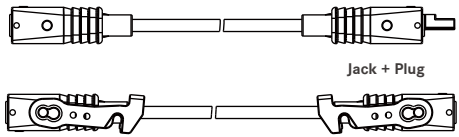
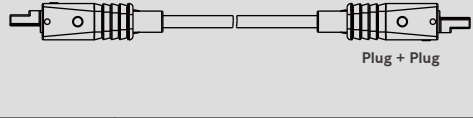
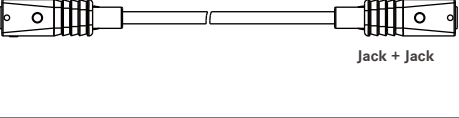
*Every 100mm as per extension

Board to Wire

					
		<p>4 PCB Mount (Right Angle) ; With post (C) or without post (D)</p>			
Mount Type	Jack	End 1 + End 2	Cable Type	Part Number	
Right Angle Jack	SSL11-J2 4 00-000001	Plug + Open End	Wire	SSL11-P2LP0-B22A XX *	
	SSL11-J4 4 00-000001			SSL11-P4LP0-B22A XX *	
	SSL11-J6 4 00-000001			SSL11-P6LP0-B22A XX *	

*XX: Please choose the cable length from 100mm ~ 9900mm
e.g. (01) = 100mm, (02) = 200mm, (03) = 300mm
*Every 100mm as per extension

Wire to Wire

							
							
							
Cable Type	Contacts 3	End 1 + End 2	Lock	Part Number	End 1 + End 2	Lock	Part Number
Wire	2, 4, 6	Plug + Open End	No Lock	SSL11-P 3 LP0-022A XX *	Jack + Open End	One Lock	SSL11-J 3 LJ0-022A XX *
			One Lock	SSL11-P 3 LP0-W22A XX *		No Lock	SSL11-J 3 LJ0-022A XX *
Plug + Jack		Two Locks	SSL11-P 3 LJP-T22D XX *	Jack + Plug	No Lock	SSL11-P 3 LJP-022D XX *	
Flat Cable		Plug + Plug	Two Locks	SSL11-P 3 L2P-T22D XX *	Jack + Plug	No Lock	SSL11-J 3 L2J-022D XX *
	No Lock		SSL11-P 3 L2P-022D XX *	No Lock		SSL11-J 3 L2J-T22D XX *	

[Note] Design and specification are subject to change without notice.

Specification | SSL 1.2

Identifications	SSL 1.2 Connector, IP 68 Waterproof Rated
Description	Board to Wire Wire to Wire
Current Rating / Data	5A per pin (2 & 4 pins available; 6 pins upon request)
Material	Terminal: Copper Alloy, Gold over Nickel Plated Housing: Thermoplastic, UL94V-0 Rated Seal&Gasket: Silicone
Waterproof Rating	IP68, 1M depth of water in 24 hours
Temperature Range	-40°C ~ 105°C
Contact Resistance	≤ 20mΩ
Insulation Resistance	≥ 1000MΩ at 500Vdc
Durability	30 cycles
Breakdown Voltage	1500Vac
More to know	UL1977 / cUL / CSA C22.2

Ordering Information | SSL 1.2

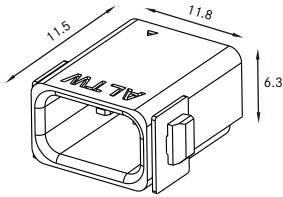
Connector Series		1 — 2 3 4 5 6 7 8
(12) SSL 1.2 IP 68 Waterproof Series		
Connector (Housing) Gender		
(J) Jack	(P) Plug	
Number of Contacts		
2, 4 contacts		
e.g. (2) = 2 Contacts		
Connector Type		
<u>> For PCB Mount Type</u>		<u>> For Cable</u>
(D) SMT Board Right Angle without Post	(L) Cable Assemblies, Straight	
	(F) Field Installable	
Wires Assembly Options		
<u>> For PCB Mount Type</u>		<u>> For Cable</u>
(00) Applicable for PCB Mount Type	(J0) End 1: Jack, End 2: Open	
	(P0) End 1: Plug, End 2: Open	
	(2J) 2-Ends Jack Connector (Upon Request)	
	(2P) 2-Ends Plug Connector (Upon Request)	
	(JP) End 1: Jack, End 2: Plug (Upon Request)	
Latch Option		
(0) None Latch		
(M) With Latch		
Wire Size		
<u>> For PCB Mount Type</u>		<u>> For Cable</u>
(00) Applicable for PCB Mount Type	(20) 20 AWG	
Cable / Wires Type		
<u>> For PCB Mount Type</u>		<u>> For Cable</u>
(001), (002).....	(□)+(■) : Wire Type + Wire Length	
Without Cable : Different Versions	e.g. (A01) = UL1430 Wire + 100mm	
	(□): Wire Type	(■): Length
(A) UL 1430 Wire	From 100mm~9900mm	
	EX. (01) = 100mm, (02) = 200mm, (03) = 300mm...	
	*Every 100mm as per extension	

[Note] Design and specification are subject to change without notice.

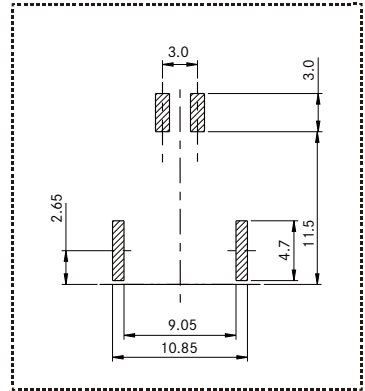
Physical Dimension | SSL 1.2

▾ SMT Receptacle

>> 2P

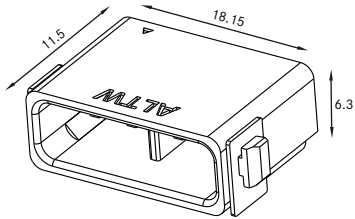


Recommended PCB Layout

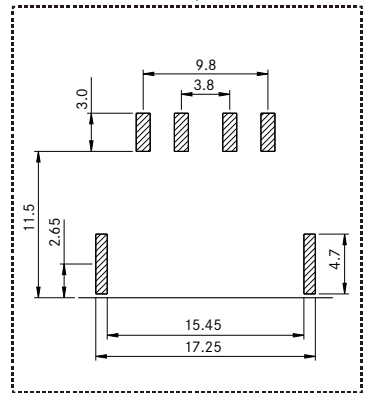


Unit: mm

>> 2P

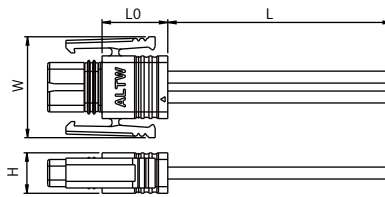
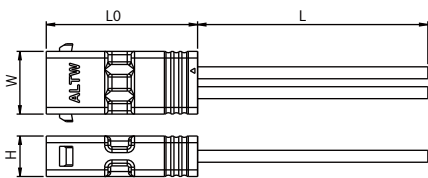


Recommended PCB Layout



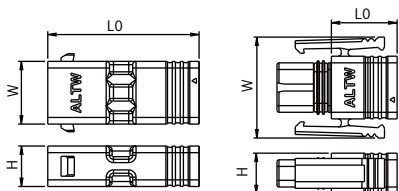
Unit: mm

▾ Cable Assemblies & Field Installable



* Various cable length available upon request.

▾ Cable Assemblies & Field Installable

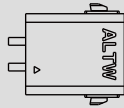
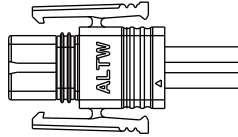
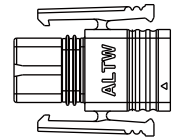
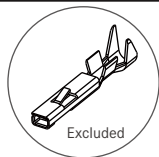


	Gender	L0	H	W
2P	Jack	22.8	6.1	11.8
	Plug	18.1	6.1	15.2
4P	Jack	22.8	6.1	18.15
	Plug	9.9	6.1	21.2

Unit: mm

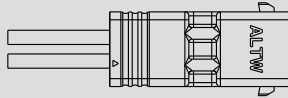
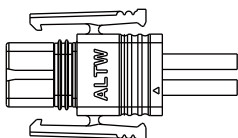
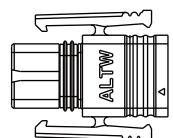
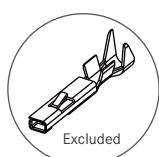
Find Our Standard Products | SSL 1.2

Board to Wire

		 <p>Cable Assemblies</p>	 <p>Field Installable</p>	 <p>Excluded BBA00010666</p>
		<p>Jack</p>		
2P	SSL 12-J2D00-00000 1	SSL 12-P2LP0-M20A <u>XX</u> *	SSL 12-P2FP0-M0000 1	
4P	SSL 12-J4D00-00000 1	SSL 12-P4LP0-M20A <u>XX</u> *	SSL 12-P4FP0-M0000 1	

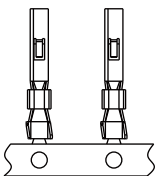
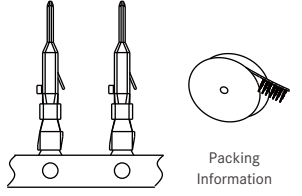
*XX: Please choose the cable length from 100mm ~ 9900mm
 e.g. (01) = 100mm, (02) = 200mm, (03) = 300mm
 *Every 100mm as per extension

Wire to Wire

 <p>Cable Assemblies</p>		 <p>Cable Assemblies</p>	 <p>Field Installable</p>	 <p>Excluded BBA00010666</p>
<p>Jack</p>		<p>Plug</p>		
2P	SSL 12-J2LJ0-020A <u>XX</u> *	SSL 12-P2LP0-M20A <u>XX</u> *	SSL 12-P2FP0-M0000 1	
	SSL 12-J2FJ0-00000 1			
4P	SSL 12-J4LJ0-020A <u>XX</u> *	SSL 12-P4LP0-M20A <u>XX</u> *	SSL 12-P4FP0-M0000 1	
	SSL 12-J4FJ0-00000 1			

*XX: Please choose the cable length from 100mm ~ 9900mm
 e.g. (01) = 100mm, (02) = 200mm, (03) = 300mm
 *Every 100mm as per extension

Accessories > Contacts

	 <p>Packing Information</p>	 <p>Packing Information</p>
Part Number	BBA00010666	BBA00010667

【Note】 Design and specification are subject to change without notice.

Specification | SSL 1.3

Identifications	SSL1.3 The Bridge
Description	Board to Board Jumper
Number of Position	1P
Current Rating / Data	5A
Voltage Rating	500Vac/dc
Material	Terminal: Copper Alloy, Gold over Nickel Plated Housing: Thermoplastic, UL94V-0 Rated
Temperature Range	-40°C ~ 105°C
Contact Resistance	≤ 20mΩ
Insulation Resistance	≥ 1000MΩ at 500VDC
Durability	10 cycles
Breakdown Voltage	2000Vac

Ordering Information | SSL 1.3

Connector Series

(13) SSL 1.3 The Bridge Series

SSL1.3-D-1-S-00-0-00-001

Connector (Housing) Gender

(D) no gender

Number of Contacts

1 contacts

e.g. (1) = 1 Contacts

Connector Type

> For PCB Mount Type

(S) Screw Mount Type

Wires Assembly Options

> For PCB Mount Type

(00) Applicable for PCB Mount Type

Assembly Option

(0) Applicable for PCB Mount Type

Wire Size

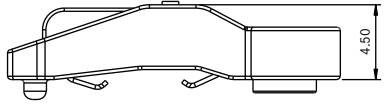
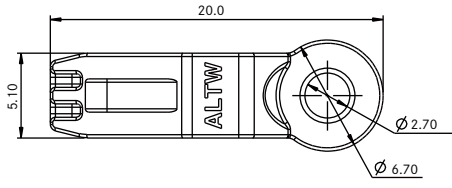
> For PCB Mount Type

(00) Applicable for PCB Mount Type

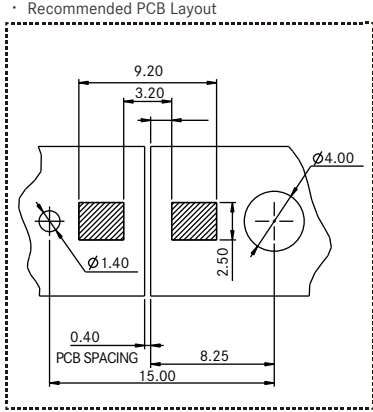
[Note] Design and specification are subject to change without notice.

Physical Dimension | SSL 1.3

▾ SMT Receptacle

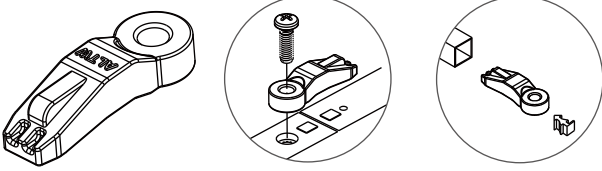


Unit: mm



Find Our Standard Products | SSL 1.3

∨ SSL 1.3 The Bridge

	 <p data-bbox="901 537 1053 556">Packing Information</p>
Part Number	SSL13-D1S00-000001

【Note】 Design and specification are subject to change without notice.

Specification | SSL 2.1

Identifications	SSL2.1 Inverted Thru Board
Description	Board to Board
Number of Position	2P
Current Rating / Data	12A
Voltage Rating	600Vac/dc
Material	Terminal: Copper Alloy, Gold over Nickel Plated Housing & Cover: Thermoplastic, UL94V-0 Rated
Temperature Range	-40°C ~ 105°C
Contact Resistance	≤ 20m Ω
Insulation Resistance	≥ 1000MΩ at 500VDC
Durability	20 cycles
Breakdown Voltage	2200Vac
More to know	UL1977 / cUL / CSA C22.2 / RoHS

Ordering Information | SSL 2.1

Connector Series

SSL2.1-J-2-E-00-0-00-001

(21) SSL 2.1 Inverted Thru Hole

Connector (Housing) Gender

(J) Jack

Number of Contacts

2 contacts

e.g. (2) = 2 Contacts

Connector Type

> For PCB Mount Type

(E) SMT Inverted 180 degree type

Wires Assembly Options

> For PCB Mount Type

(00) Applicable for PCB Mount Type

Assembly Option

(0) Applicable for PCB Mount Type

Wire Size

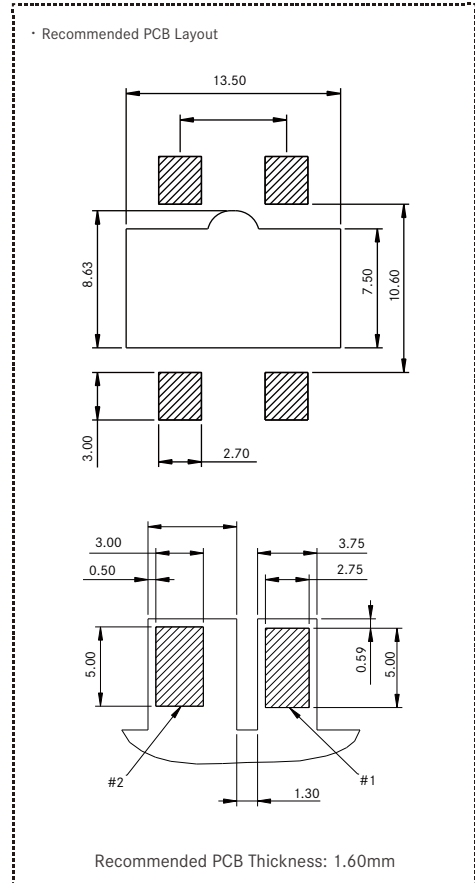
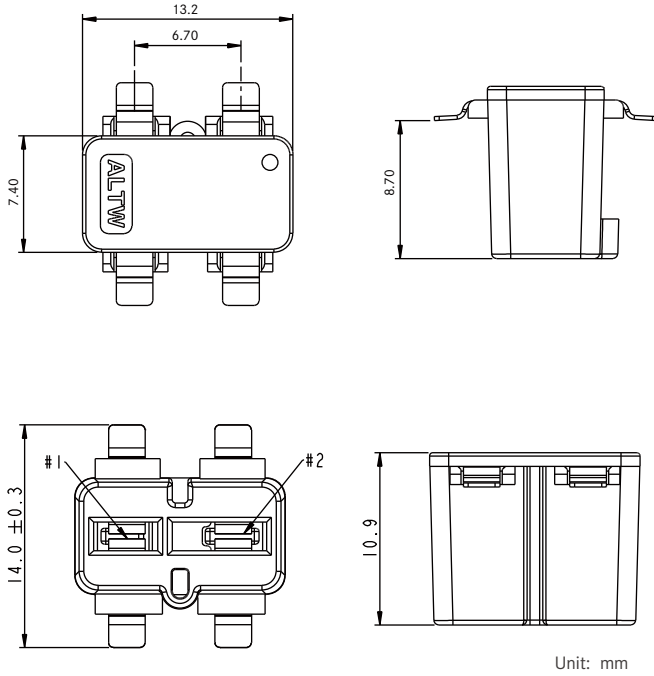
> For PCB Mount Type

(00) Applicable for PCB Mount Type

【Note】 Design and specification are subject to change without notice.

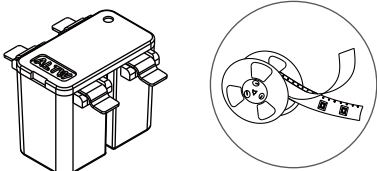
Physical Dimension | SSL 2.1

▾ SMT Receptacle



Find Our Standard Products | SSL 2.1

∨ SSL 2.1 Inverted Thru Board

	 <p data-bbox="682 535 836 556">Packing Information</p>
Part Number	SSL21-J2E00-000001

【Note】 Design and specification are subject to change without notice.

Specification | SSL 2.3

Identifications	SSL2.3 EZ-B
Description	Screw Base for E26/27 Bulb
Current Rating / Data	3A
Voltage Rating	500Vac/dc
Material	Terminal: Copper Alloy, Gold Plated, Nickel-under Plated All over Housing & Cover: Thermoplastic, UL94V-0 Rated
Temperature Range	-40°C ~ 105°C
Contact Resistance	≤ 20mΩ
Insulation Resistance	≥ 1000MΩ at 500VDC
Durability	100 cycles
Breakdown Voltage	2000Vac
More to know	UL recognized materials

Ordering Information | SSL 2.3

Connector Series

SSL2.3 - D - 2 - S - 00 - 0 - 00 - 001

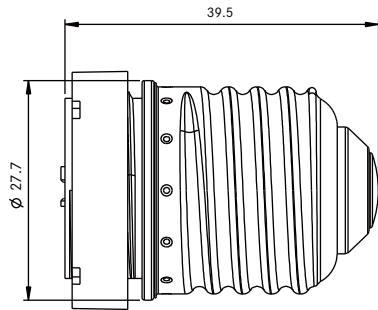
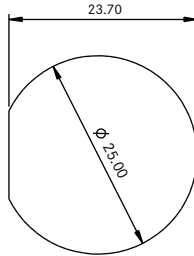
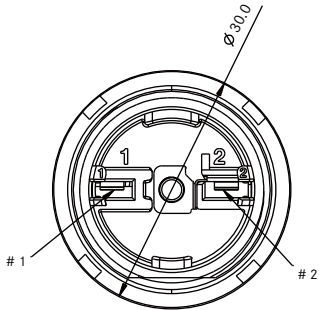
(23) SSL 2.3 EZ-Base**Connector (Housing) Gender****(D)** No Gender**Number of Contacts**

2 contacts

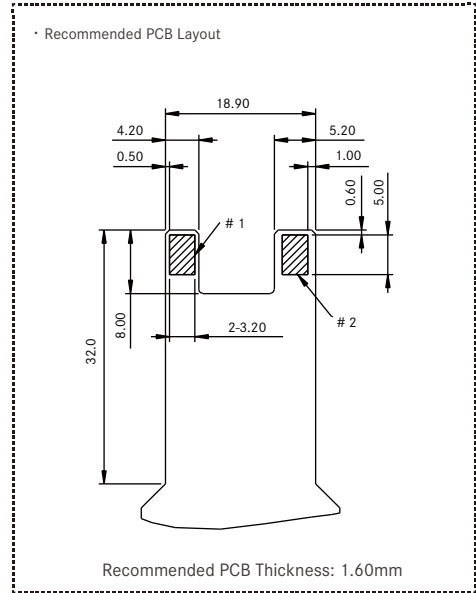
e.g. **(2)** = 2 Contacts**Connector Type**> For PCB Mount Type**(S)** Screw Mount Type**Wires Assembly Options**> For PCB Mount Type**(00)** Applicable for PCB Mount Type**Assembly Option****(0)** Applicable for PCB Mount Type**Wire Size**> For PCB Mount Type**(00)** Applicable for PCB Mount Type

Physical Dimension | SSL 2.3

▾ Screw Base



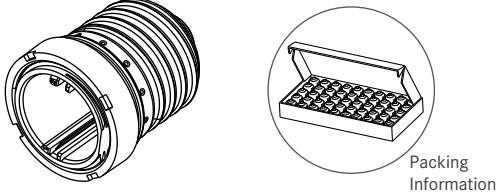
Unit: mm



Unit: mm

Find Our Standard Products | SSL 2.3

SSL 2.3 EZ-B

	 <p>Packing Information</p>
Part Number	SSL23-D2S00-000001

【Note】 Design and specification are subject to change without notice.

Amphenol LTW Technology Co., Ltd.

5F-3, No.51, Sec.4, Zhongyang Rd., Tucheng Dist., New Taipei City 236, Taiwan
Telephone: +886-2-77416888 Fax: +886-2-77416999
www.amphenolltw.com

Kunshan Factory

No. 62, DaTong Road, Development Zone, Kunshan City, JiangSu Province, 215333 China
Telephone: +86-512-5761-0501
Fax: : +86-512-5761-0515

For further information, please contact :

Sales & Marketing Department | Email : sales@ltw-tech.com