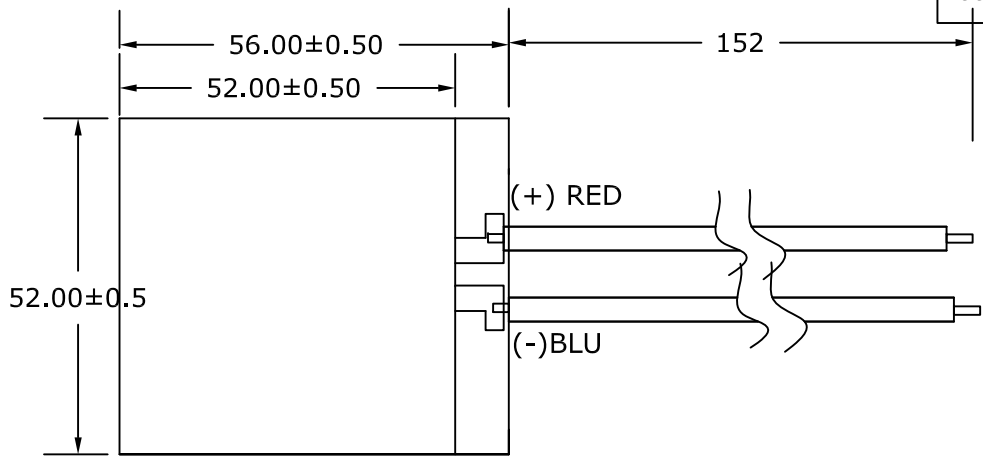
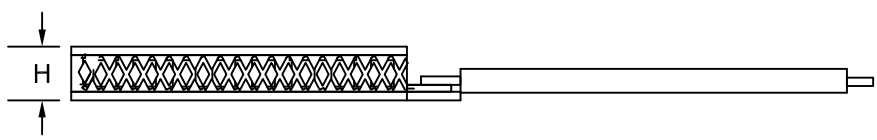


REV	BY	DATE	ECN/ERO	DESCRIPTION
00	Jinlong	09/16/17	-	PRODUCTION RELEASE



NOTES:


- ① Wire are UL1213 AWG20,19/32 TEFLON, STRANDS.
- 2. Lapped both side, height is 3.300±0.025mm, flatness and parallel is 0.025mm.
- ③ Sealed with RTV
- ④ ACR: 1.513 - 1.681 - 1.849 ohms(23°C)



Ceramic Material: Alumina(Al₂O₃)
Solder Construction: 232°C SbSn

REFERENCE ONLY!	
Nominal Specs (@25°C)	
I_{max} (A)	14.6
U_{max} (V)	27.4
Q_{max} (W)	231
ΔT_{max} (°C)	63

NOTE:
ALL DIMENSIONS = mm

 <p>4707 DETROIT AVE CLEVELAND, OHIO 44102</p> <p>PH. (216) 939-2300 FAX (216) 939-2310</p>		P/N	387001827		DESCRIPTION	ET15,24,F2,5252,TA,RT,W6	
		TITLE					
SURFACE FINISH 3.2 √μm 125 √μln (UNLESS OTHERWISE SPECIFIED) BREAK ALL EDGES; 0.015 [0.40mm] x 45°		NAME	Jinlong		DATE	09/16/17	
		DRAWN BY	Jinlong		DATE	09/16/17	
		INITIATED BY			APPROVAL		
DWG NO				387001827		REV	00