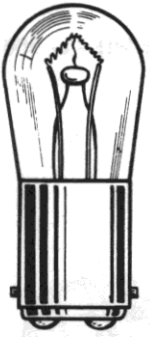


Large Incandescent Indicators

MOUNT IN 1" CLEARANCE HOLE
FOR 24 TO 250V OPERATION

PER MIL- L-3661B



S 6
DOUBLE CONTACT
BAYONET BASE

See lamp ratings
on page K.

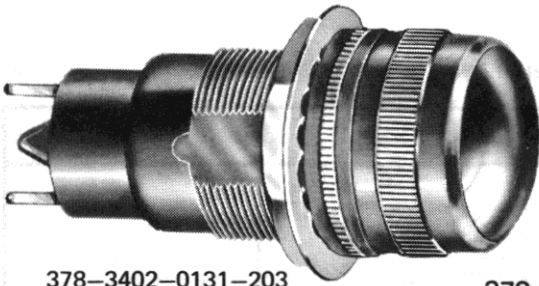
Recognized under the component
program of Underwriters'
Laboratories Inc.

75W., 125V.



MATERIALS FINISHES

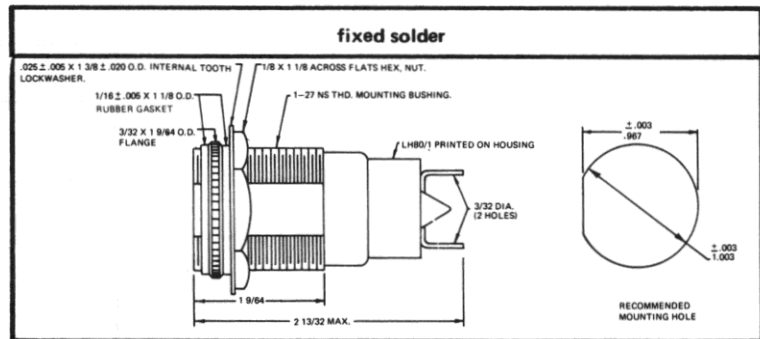
- Mounting Bushing: Black nickel finish.
- Lens Holder and Knurled Flange Ring: Black nickel finish.
- Mounting Nut: Brass, white nickel finish.
- Internal-tooth Lockwasher: Phosphor bronze, white nickel finish.
- Terminals: Solder – brass, hot tinned.



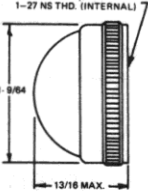
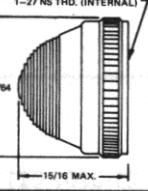
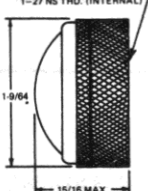
378-3402-0131-203
Convex lens

378 SERIES
379 SERIES
380 SERIES
381 SERIES

BASE PART NUMBER



(LH80/1) 378-3402-01-203

CAP PART NUMBER	COMPLETE ASSEMBLY PART NUMBERS
 <p>1-27 NS THD. (INTERNAL)</p> <p>1-9/64</p> <p>13/16 MAX.</p> <p>CONVEX LC21 51-0131-203 transparent</p>	378-3402-0131-203
 <p>1-27 NS THD. (INTERNAL)</p> <p>1-9/64</p> <p>15/16 MAX.</p> <p>TORPEDO LC22 80-0531-203 transparent</p>	379-3402-0531-203
 <p>1-27 NS THD. (INTERNAL)</p> <p>1-9/64</p> <p>15/16 MAX.</p> <p>CONVEX Mech. Dimmer LC23 209-0131-203 Complete blackout LC24 210-0131-203 Semi-blackout</p>	380-3402-0131-203 381-3402-0131-203

Order complete with lamp to be assured of receiving the indicator light and correct lamp together for immediate use.