



Mallory Sonalert Products, Inc.

Part #:

SC630JW

Sales Outline Drawing

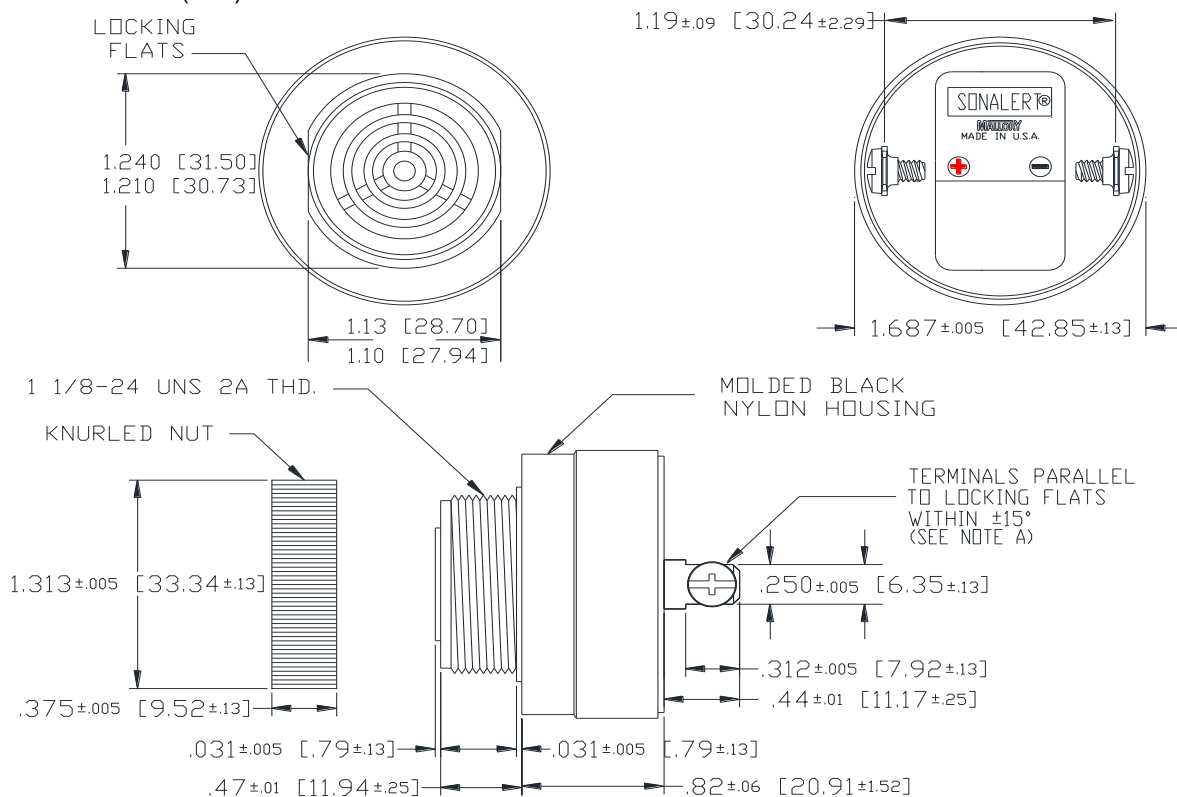
Revision:

C

Specifications:

Sound Level Category	Medium
Mode of Operation	Warble @ 0.5 - 2.0 PPS
Voltage Rating	9 to 30 VDC
Frequency	1800 ± 500 Hz to 2800 ± 500 Hz
Loudness @ 2 FT	68 to 86 dB(A) Typ.
Loudness @ Min Vdc	65 dB(A) @ 2 Feet and 9 Vdc
Loudness @ Max Vdc	80 dB(A) @ 2 Feet and 30 Vdc
Current Draw	40mA MAX
Housing Material	6/6 Nylon, Color: Black
Storage Temperature	-40° to +85° C
Operating Temperature	-30° to +65° C
Panel Mounting	Recommended hole size is 1.25"(31.75mm). Thread front will fit standard 30mm(1.181") hole.
Knurled Nut	Used to attach part to panel. The max recommended torque is 10 in-lbs.
Weight (Typical)	1.6 oz (45g)
NEMA 3R,4X, & 12	Approved with use of ACC03.
Options	Please contact factory.

Dimensions: Inches (mm)



NOTE A: TERMINALS-.032 BRASS TIN PLATED, TAPPED FOR #6-32 SCREW. TWO #6-32 NICKEL PLATED BRASS SCREWS INCLUDED. WILL ACCEPT 1/4" QUICK CONNECT.

NOTE B: MOUNTING- REMOVE BLACK PLASTIC NUT AND INSERT THREADED FRONT THROUGH 1.25" HOLE PUNCHED IN PANEL, IF ORIENTATION IS NEEDED, NOTE LOCKING FLATS ON DRAWING, SCREW NUT BACK ON. DO NOT OVERTIGHTEN.