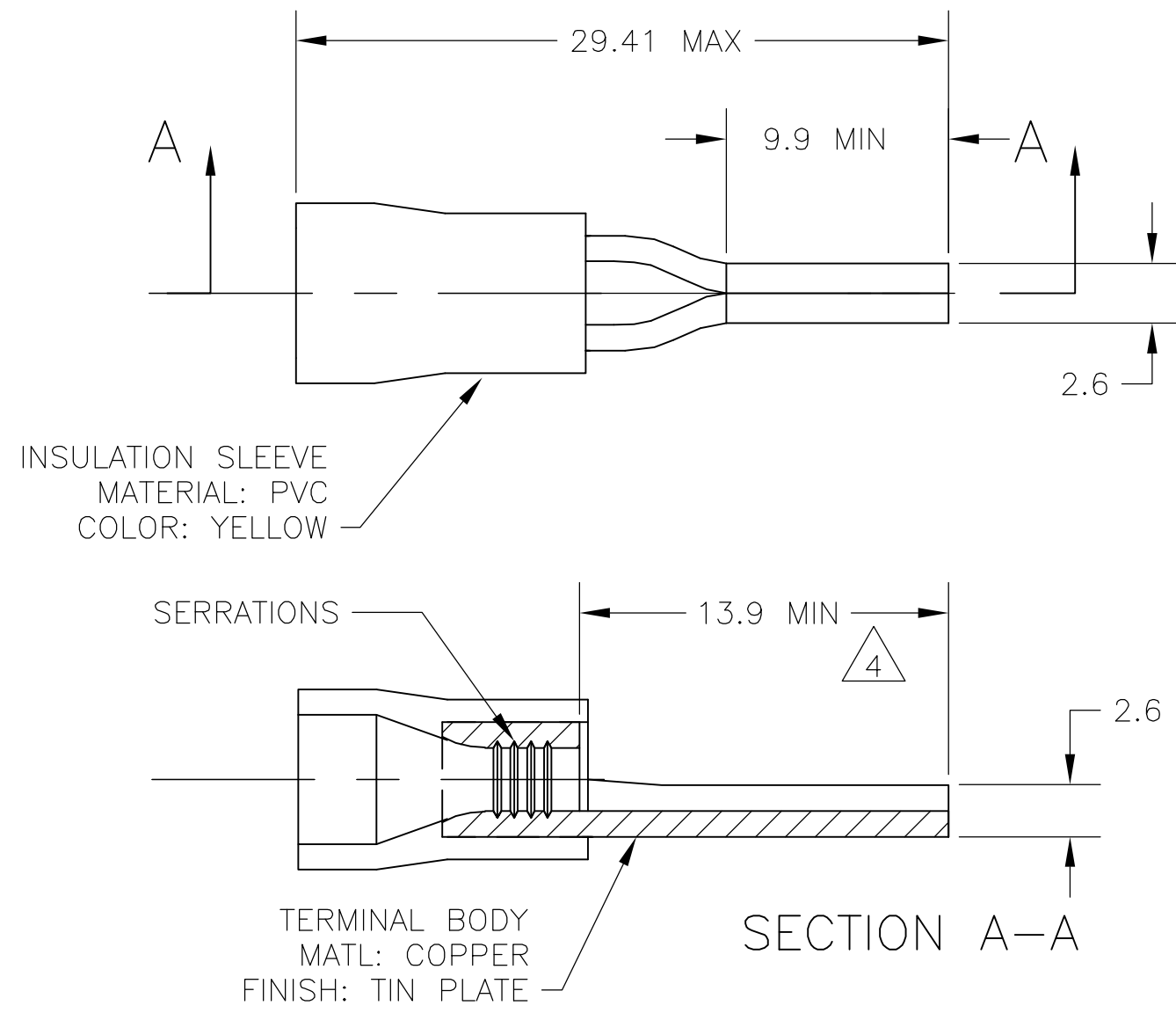


THIS DRAWING IS UNPUBLISHED. RELEASED FOR PUBLICATION
 © COPYRIGHT BY TYCO ELECTRONICS CORPORATION. ALL RIGHTS RESERVED.

LOC	DIST	REVISIONS			
P	LTR	DESCRIPTION	DATE	DWN	APVD
G	02	G1	REV PER ECR-06-001930	13FEB06	HMR TM



- 1 WIRE SIZE IS #12-#10 AWG
- 2 INSULATION DIA: 3.8 - 6.4
- 3 MATERIAL THICKNESS IS 1.0
- △4 DIMENSION APPLIES FROM EDGE OF METAL WIRE BARREL TO END OF PIN
- △5 SUPERSEDED BY 342196-1

POLY BAG WITH HEADER	STANDARD	50	△5 7-342196-1
PLASTIC BOX	STANDARD	50	△5 6-342196-1
TAPED MOUNTED	STANDARD	2000	2-342196-1
PLASTIC BAG	STANDARD	500	342196-1
PACKAGING	LABELLING	QTY YELLOW	PART NO

DIMENSIONS: INCHES		TOLERANCES UNLESS OTHERWISE SPECIFIED:		APVD		NAME		RESTRICTED TO	
0 PLC	± -	0 PLC	± -	DWN	jr ruth	07AUG03	 Tyco Electronics Corporation Harrisburg, PA 17105-3608	-	
1 PLC	± 0.5	1 PLC	± 0.5	CHK	T MICHIELUTTI	07AUG03		-	
2 PLC	± -	2 PLC	± -	APVD	T MICHIELUTTI	07AUG03		-	
3 PLC	± -	3 PLC	± -	PRODUCT SPEC				-	
4 PLC	± -	4 PLC	± -	APPLICATION SPEC			SIZE	CAGE CODE	DRAWING NO
ANGLES	± 1°	ANGLES	± 1°	WEIGHT			A2	00779	C=342196
MATERIAL	-	FINISH	-	CUSTOMER DRAWING		SCALE	1:1	SHEET	1 of 1
						REV	G1		