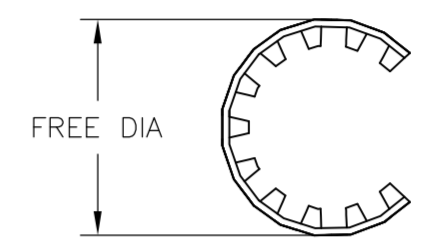
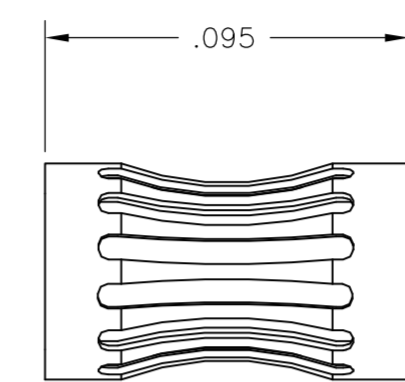


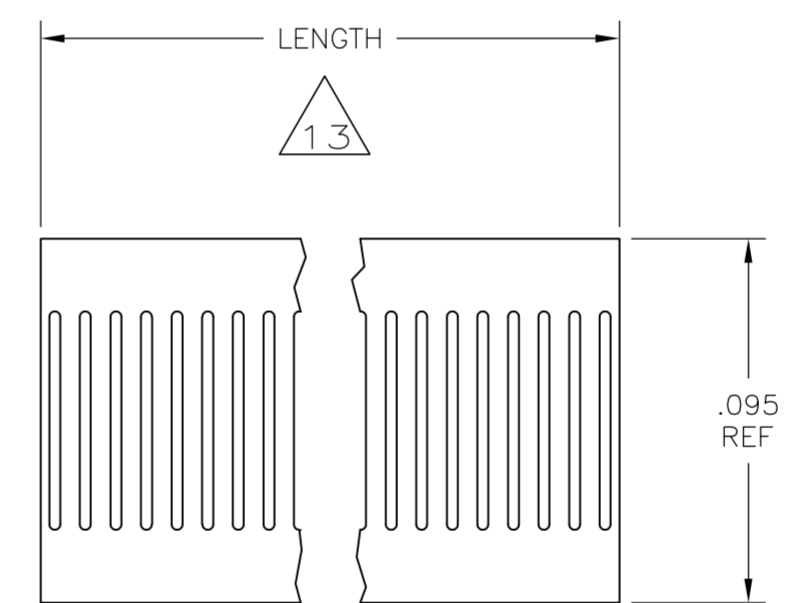
THIS DRAWING IS UNPUBLISHED. RELEASED FOR PUBLICATION
 © COPYRIGHT - By - ALL RIGHTS RESERVED.

LOC	DIST	REVISIONS					
FT	0	P	LTR	DESCRIPTION	DATE	DWN	APVD
		-		SEE SHEET 1	-	-	-

LH	(FREE DIA)	STYLE	MAT'L (NOTE)	MATING PIN ϕ REF	PLATING	NUM LOUV	MATL THK	REF	PART NUMBER
[.012]	[.33]	A	12	6.5[.256]	1-2	29	0.10[.004]	--	9-192047-0 ¹⁴
[.012]	[.33]	A	12	6.5[.256]	3-2	29	0.10[.004]	--	8-192047-9 ¹⁴
[.012]	[.13]	A	12	2.54[.100]	17-2	12	0.10[.004]	--	8-192047-8 ¹⁶
[.014]	[.38]	A	12	7.9[.313]	3-2	35	0.10[.004]	--	8-192047-7 ¹⁴
[.012]	[.06]	A	12	1.0[.040]	5-2	6	0.10[.004]	--	8-192047-6 ¹⁴
[.023]	--	C	12	--	2	35	0.10[.004]	--	8-192047-5 ^{14, 15}
[.023]	--	C	12	--	2	--	0.10[.004]	--	8-192047-4 ¹⁴
[.012]	[.33]	A	12	6.5[.256]	6-2	29	0.10[.004]	--	8-192047-3 ¹⁴
[.012]	[.57]	A	12	11.9[.471]	6-2	55	0.10[.004]	--	8-192047-2 ¹⁴
[.014]	[.09]	A	12	1.57[.062]	UNPL	6	0.10[.004]	--	8-192047-1 ¹⁸ OBSOLETE
[.014]	[.09]	A	12	1.57[.062]	3-2	6	0.10[.004]	--	8-192047-0 ¹⁸ OBSOLETE
[.025]	--	C	12	--	UNPL	23	0.10[.004]	--	7-192047-9
[.012]	[.43]	A	12	10.1[.400]	UNPL	45	0.10[.004]	--	7-192047-8
[.012]	[.40]	A	12	8.7[.342]	UNPL	39	0.10[.004]	--	7-192047-7
[.012]	[.36]	A	12	7.2[.284]	UNPL	32	0.10[.004]	--	7-192047-6
[.012]	[.29]	A	12	6.5[.256]	UNPL	29	0.10[.004]	--	7-192047-5
[.012]	[.28]	A	12	6.1[.241]	UNPL	28	0.10[.004]	--	7-192047-4
[.012]	[.26]	A	12	5.7[.226]	UNPL	26	0.10[.004]	--	7-192047-3
[.012]	[.25]	A	12	5.3[.210]	UNPL	24	0.10[.004]	--	7-192047-2
[.012]	[.23]	A	12	4.8[.188]	UNPL	22	0.10[.004]	--	7-192047-1
[.012]	[.20]	A	12	4.3[.168]	UNPL	19	0.10[.004]	--	7-192047-0
[.023]	--	C	12	--	UNPL	--	0.10[.004]	--	6-192047-9
[.012]	[.06]	A	12	1.0[.040]	4-7	6	0.10[.004]	--	6-192047-8 ¹⁸ OBSOLETE
NO DATA									6-192047-7 ¹⁵
NO DATA									6-192047-6 ¹⁵
NO DATA									6-192047-5 ¹⁵
NO DATA									6-192047-4 ¹⁵
[.012]	[.43]	A	12	1.0[.040]	4-2	45	0.10[.004]	06085	6-192047-3
								06800	6-192047-2 ¹⁸ OBSOLETE
								06801	6-192047-1 ¹⁸ SUPERSEDED
								06078	6-192047-0 ¹⁸ SUPERSEDED
								06054	5-192047-9 ¹⁸ OBSOLETE
								06053	5-192047-8 ¹⁸ OBSOLETE
[.012]	[.52]	A	12	12.7[.500]	UNPL	55	0.10[.004]	06057	5-192047-7 ¹⁸ OBSOLETE
[.012]	[.43]	A	12	10.1[.400]	3-2	45	0.10[.004]	06020	5-192047-6
[.012]	[.40]	A	12	8.7[.342]	3-2	39	0.10[.004]	06019	5-192047-5 ¹⁸ OBSOLETE
[.012]	[.36]	A	12	7.2[.284]	3-2	32	0.10[.004]	06018	5-192047-4 ¹⁸ OBSOLETE
[.012]	[.35]	A	12	6.9[.272]	6-2	31	0.10[.004]	06046	5-192047-3
[.012]	[.35]	A	12	6.9[.272]	UNPL	31	0.10[.004]	06077	5-192047-2 ¹⁸ OBSOLETE
[.012]	[.33]	A	12	6.5[.256]	4-2	29	0.10[.004]	06040	5-192047-1



STYLE A
(FEMALE)



STYLE C
(STRIP)

- ¹⁵ CUT TO LENGTH OF 25mm.
- ¹⁶ OBSOLETE PART NUMBER.
- 17 FINISH: GOLD PLATE 30 MIN THICK MIN.
- ¹⁸ OBSOLETE PARTS: OBSOLETE CIS STREAMLINING PER D.RENAUD/D.SINISI

THIS DRAWING IS A CONTROLLED DOCUMENT.		DWN RA JAYNE 06-11-92	TE Connectivity		
		CHK RA JAYNE 06-11-92			
DIMENSIONS: INCHES		TOLERANCES UNLESS OTHERWISE SPECIFIED:	NAME CONTACT BAND,FEMALE		
		0 PLC ± -	PRODUCT SPEC -		
		1 PLC ± -	APPLICATION SPEC -		
MATERIAL SEE TABLE		FINISH SEE TABLE	WEIGHT -	SIZE A2	CAGE CODE 00779
CUSTOMER DRAWING			DRAWING NO C=192047	RESTRICTED TO -	
			SCALE 20:1	SHEET 2 of 2	REV L