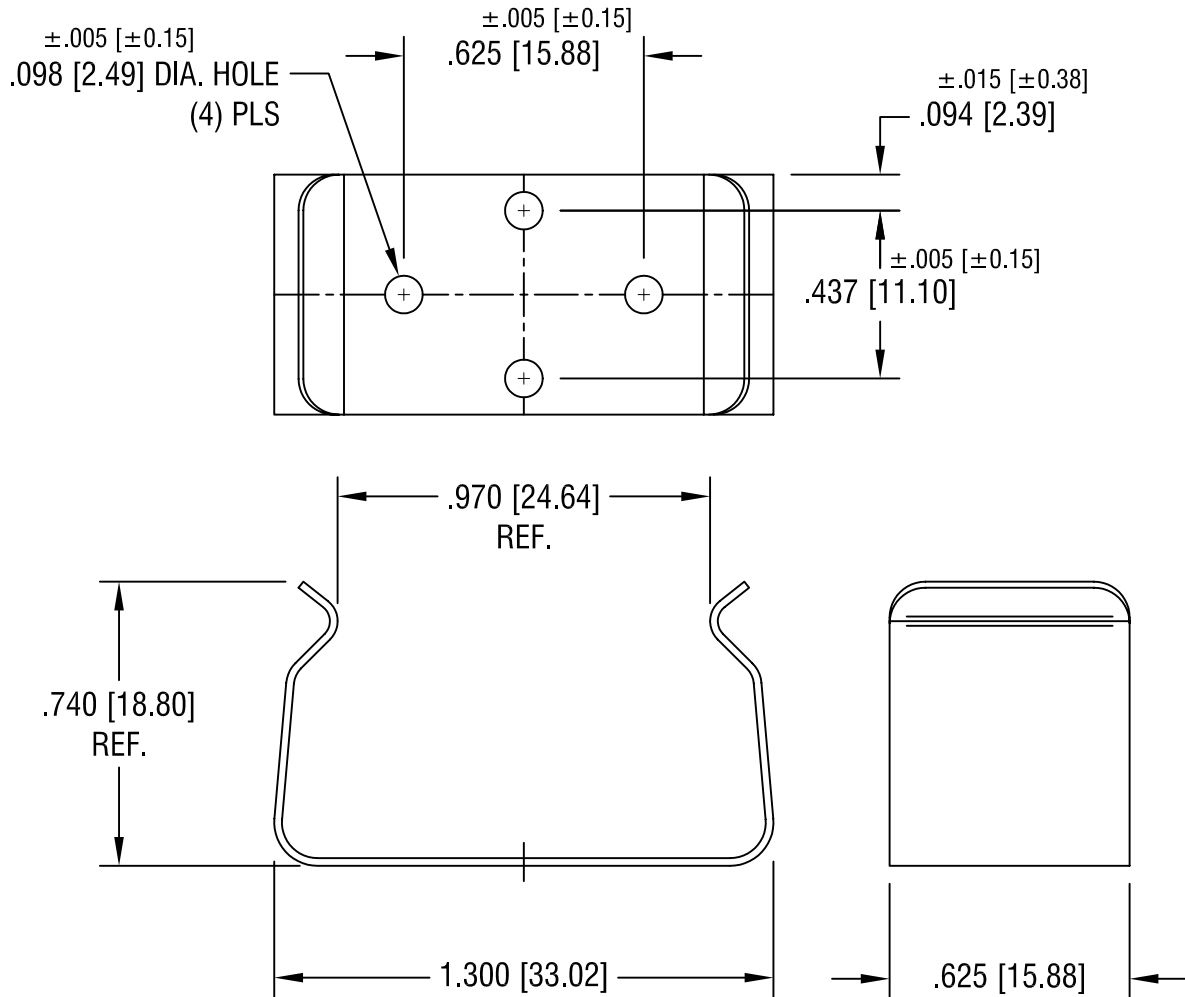


THIS DOCUMENT IS THE PROPERTY OF
KEYSTONE ELECTRONICS CORP. AND
SHALL NOT BE REPRODUCED, DISTRIBUTED
OR USED AS A BASIS FOR MANUFACTURE
WITHOUT PRIOR WRITTEN PERMISSION
FROM KEYSTONE ELECTRONICS CORP.



KEYSTONE ELECTRONICS CORP.

ASTORIA, N.Y. 11105-2017

PART NAME

COMPONENT CLIP, (2) RM12

MATERIAL

.020 [0.50] TH'K ALUMINUM

FINISH

-

DRN BY

BOONE

DATE

3.19.96

APPD

LN

SCALE

2X

5.28.04 CHANGE AS PER ECN 04-042

A

TOLERANCES

INCH [MM]

DECIMAL $\pm .010$ [±0.25]

ANGULAR $\pm 1^\circ$

UNLESS OTHERWISE SPECIFIED

CODE

C

DWG NO.

70

DATE

DESCRIPTION

REV.