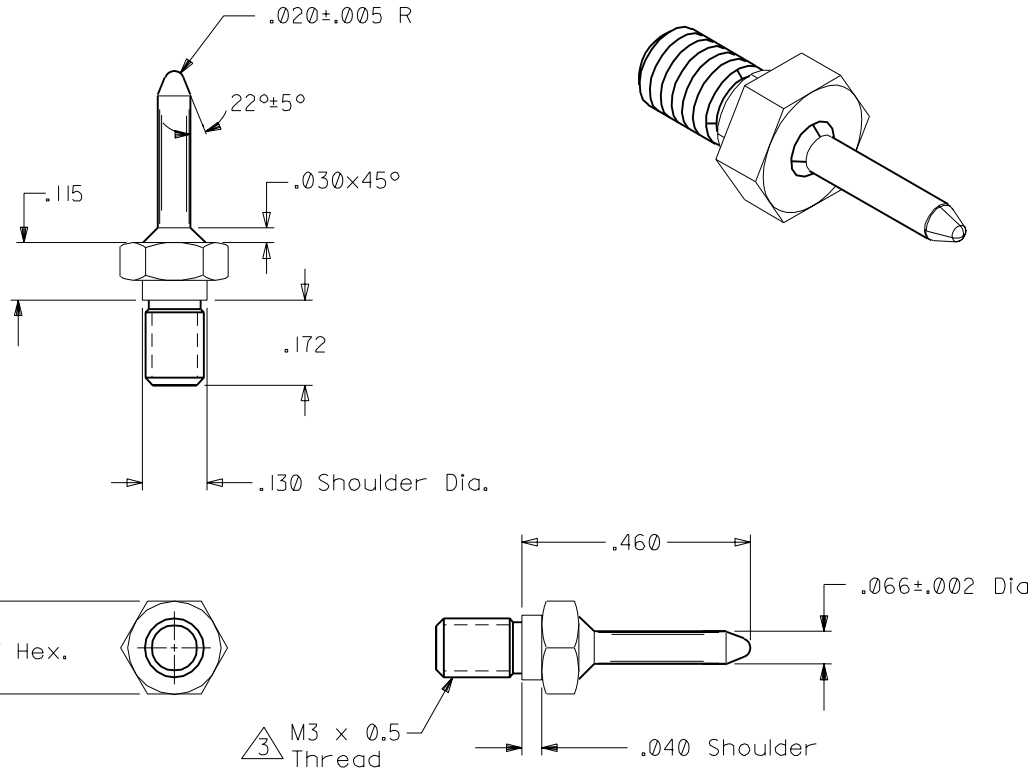


Notes:

1. Material: Heat Treated Steel.
2. Finish: Nickel Plate.
3. Maximum Assembly Torque: 5 in-lbs.
4. Socket Size: 3/16".



E	REVISED PER UDT2001-1175 SCHMIDG 01/04/26
DI	Added "Mating HRD" PER ECN U6-1418 DRS 05/13/96
D	Added -3000 ECN #U50846 DRS 04/11/95
C	Added Dims ECN #40107 DKS 2-14-94
B	Tip Rad Was .005 ECN #31700 DKS 11-12-93
A	RELEASED PER ECN# U30178 MOS 5/6/93

MFG.	SH.	REV.	LTR.	REVISIONS
------	-----	------	------	-----------

DIMENSIONS SHOWN (METRIC) INCH		$\nabla = 0$	$\blacktriangledown = 0$	REVISE ONLY ON CAD SYSTEM																		
UNLESS OTHERWISE SPECIFIED TOLERANCES: ANGULAR = $1/2^\circ$		TITLE Guide Pin LFH Connector System																				
<table border="1"> <thead> <tr> <th></th> <th>INCH</th> <th>METRIC</th> </tr> </thead> <tbody> <tr> <td>3 PLACE</td> <td>$\pm .010$</td> <td>---</td> </tr> <tr> <td>2 PLACE</td> <td>\pm</td> <td>\pm</td> </tr> <tr> <td>1 PLACE</td> <td>---</td> <td>\pm</td> </tr> </tbody> </table>			INCH	METRIC	3 PLACE	$\pm .010$	---	2 PLACE	\pm	\pm	1 PLACE	---	\pm	<table border="1"> <tr> <td>MOLEX INCORPORATED</td> <td>SHEET NO.</td> <td>DATE</td> </tr> <tr> <td>LISLE, ILL. 60532 U.S.A.</td> <td>1 of 1</td> <td>03/11/93</td> </tr> </table>			MOLEX INCORPORATED	SHEET NO.	DATE	LISLE, ILL. 60532 U.S.A.	1 of 1	03/11/93
	INCH	METRIC																				
3 PLACE	$\pm .010$	---																				
2 PLACE	\pm	\pm																				
1 PLACE	---	\pm																				
MOLEX INCORPORATED	SHEET NO.	DATE																				
LISLE, ILL. 60532 U.S.A.	1 of 1	03/11/93																				
DRAFT WHERE APPLICABLE MUST REMAIN WITHIN DIMENSIONS		PART NO. 71628-3000 DRWG. NO. SDA-71628-*****																				
DRWG. BY: MOS	CHK'D BY: BIXLER	FILE NAME: S71628x1 DGN	THIS DRAWING CONTAINS INFORMATION THAT IS PROPRIETARY TO MOLEX INC. AND SHOULD NOT BE USED WITHOUT WRITTEN PERMISSION.																			
APP'D BY: BIXLER	SCALE: 4: 1		DIV. CD	SIZE B																		