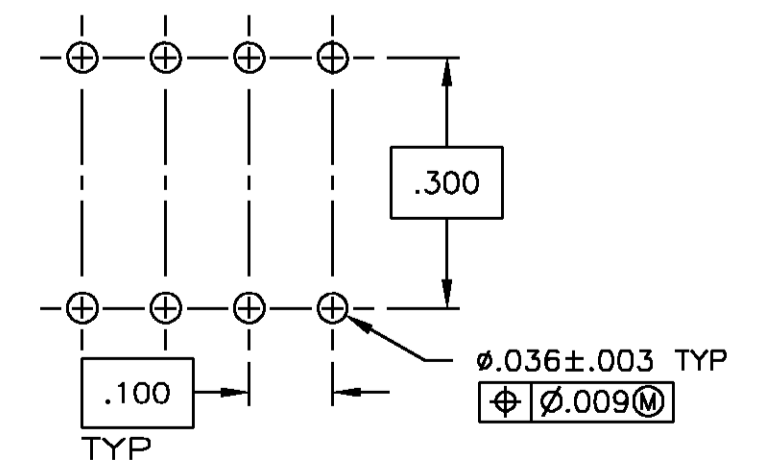
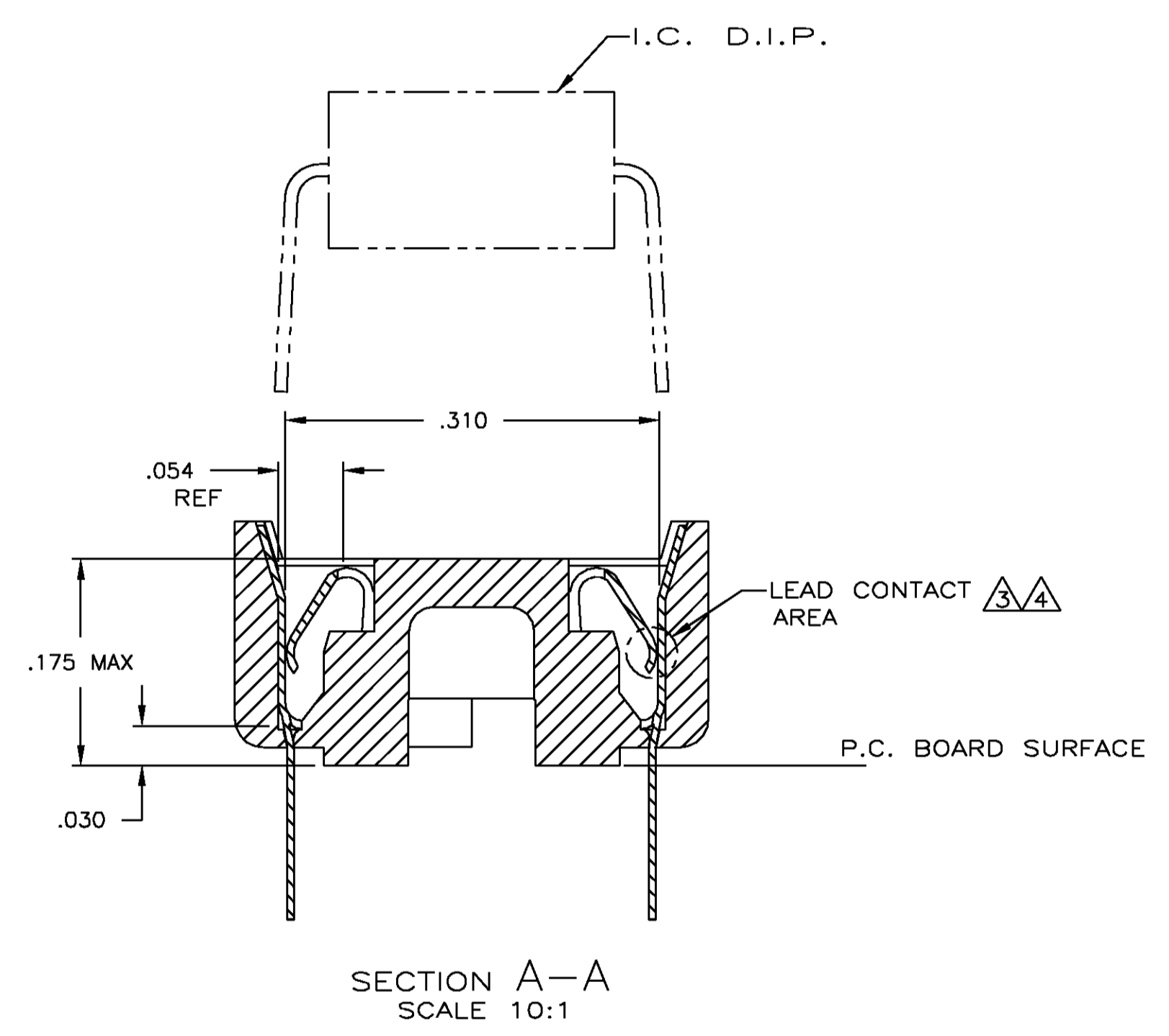
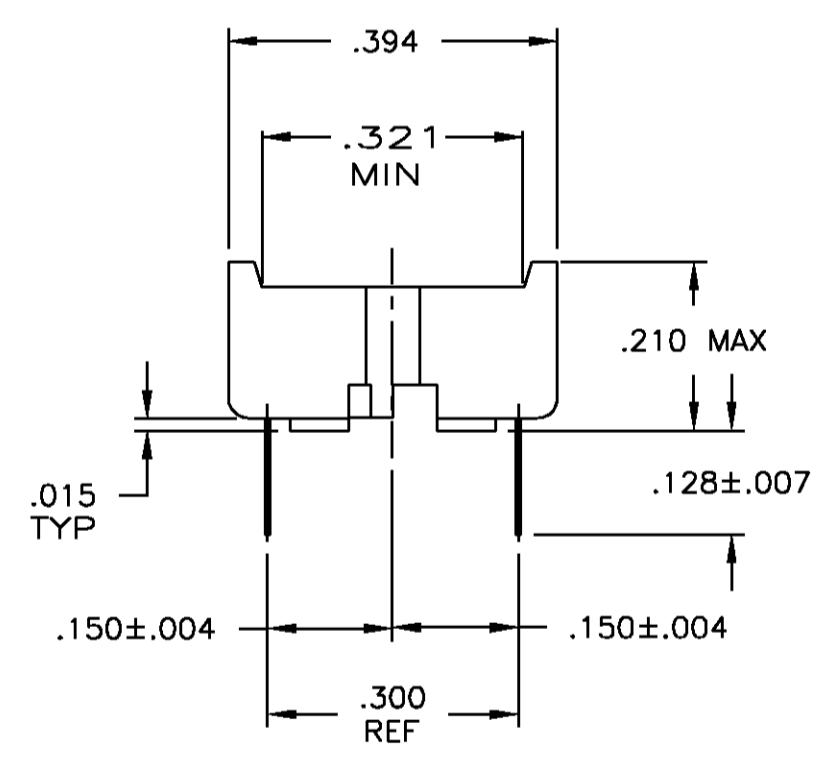
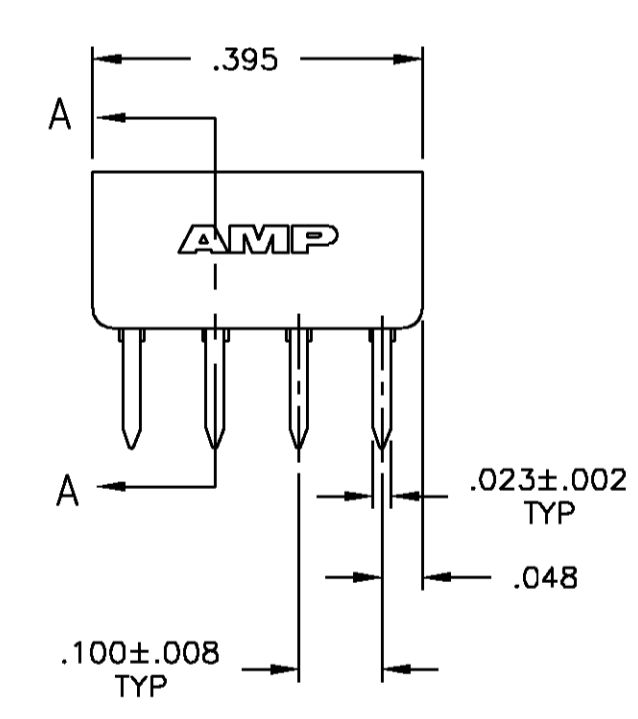
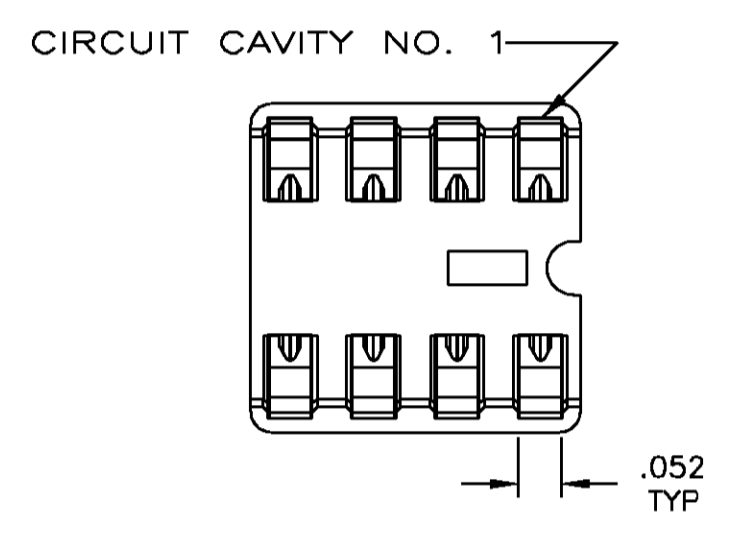


| REV. NO. | | DESCRIPTION | | DATE | BY | APP'D |
|----------|---|-------------|----------------------|---------|----|-------|
| AD | 0 | AE | REV PER 0G3C-0214-99 | 29AUG00 | BH | HW |

1. RECEPTACLE ACCEPTS A .008-.014 THICK I.C. LEAD.
2. TUBE LOADED FOR AUTOMATIC INSERTION.
3. TWO .000030 MIN THK. GOLD STRIPES IN CONTACT AREA WITH TIN-LEAD (93/7) ON CONTACT LEGS, BALANCE OF CONTACT NICKEL PLATED.
4. TWO .000015 MIN THK. GOLD STRIPES IN CONTACT AREA WITH TIN-LEAD (93/7) ON CONTACT LEGS, BALANCE OF CONTACT NICKEL PLATED.



RECOMMENDED MOUNTING HOLE PATTERN
SCALE 4:1

| | | | | |
|------------------------|--------|--------------------|--|------------|
| OBSELETE | TINNED | PHOS.BRZ. .006 THK | GLASS-FILLED THERMOPLASTIC, 94V-0, BLACK | 2-640463-5 |
| SUPERSEDED BY 390261-2 | TINNED | PHOS.BRZ. .006 THK | GLASS-FILLED THERMOPLASTIC, 94V-0, BLACK | 2-640463-4 |
| SUPERSEDED BY 390261-2 | TINNED | BE.CU. .006 THK | GLASS-FILLED THERMOPLASTIC, 94V-0, BLACK | 2-640463-3 |
| SUPERSEDED BY 390261-2 | TINNED | BE.CU. .006 THK | GLASS-FILLED THERMOPLASTIC, 94V-0, BLACK | 2-640463-2 |
| | TINNED | BE.CU. .006 THK | GLASS-FILLED THERMOPLASTIC, 94V-0, BLACK | 2-640463-1 |

| CONTACT FINISH | | CONTACT MAT'L | | HOUSING MATERIAL | | PART NO. | |
|--|--|--|--|-------------------|--|--------------|--|
| THIS DRAWING IS A CONTROLLED DOCUMENT. | | | | | | | |
| DIMENSIONS: | | TOLERANCES UNLESS OTHERWISE SPECIFIED: | | DRAWN: | | DATE: | |
| INCHES: | | FRACTIONS: | | M.CYRUS | | 2-20-87 | |
| DECIMALS: | | DECIMALS: | | R. MILLER | | 2-20-87 | |
| MATERIAL: | | FINISH: | | APPROVED: | | DATE: | |
| SEE TABLE | | SEE TABLE | | J. LAMBERT | | 2-28-87 | |
| | | | | NAME: | | DRAWING NO. | |
| | | | | R. MILLER | | 108-1066 | |
| | | | | APPLICATION SPEC: | | 114-1049 | |
| | | | | SIZE: | | CAGE CODE | |
| | | | | A1 | | 00779 | |
| | | | | DRAWING NO.: | | 640463 | |
| | | | | CUSTOMER DRAWING | | SCALE: 5:1 | |
| | | | | | | SHEET 1 OF 1 | |
| | | | | | | REV AF | |