

LIGHT-PIPE ASSEMBLY
SHOWN ASSEMBLED TO
IPASS CONNECTOR
(SEE NOTE 3)

NOTES :

1. MATERIALS:

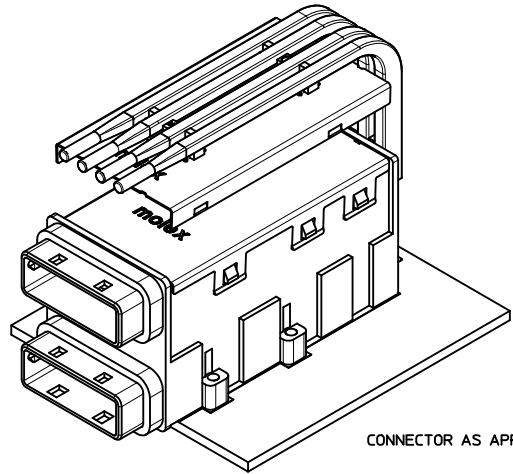
LIGHT PIPES: POLYCARBONATE, CLEAR.

MOUNTING BRACKET: STAINLESS STEEL ALLOY.

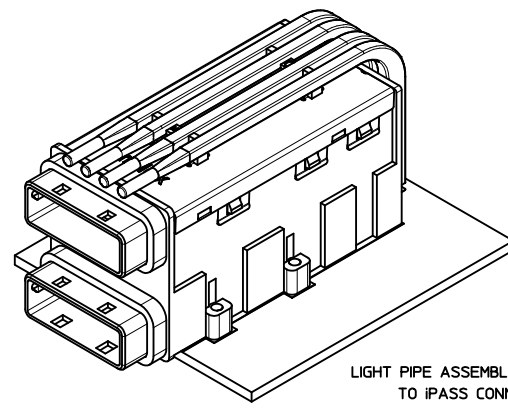
2. LIGHT PIPE ASSEMBLY #170416-0101 IS ATTACHED TO THE COVER OF CONNECTOR ASSEMBLIES 75758-0101 THRU 75758-0111 BY THE CUSTOMER.

3. IPASS CONNECTOR ASSEMBLIES 75758-0101 THRU 75758-0111 ARE SOLD SEPARATELY AND SHOWN FOR REFERENCE ONLY. SEE SALES DRAWING: SD-75758-010.

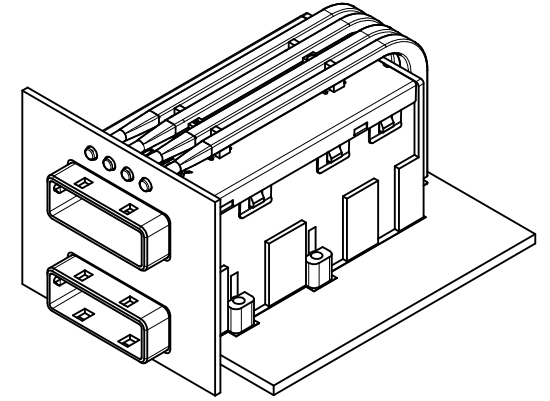
RELEASED EIC NO: UCP2012-1063 DRAWN BY: SBGJEL CHKD: MBANAKIS APPR: MBANAKIS DATE: 2011/09/19 2011/10/20	QUALITY SYMBOLS	GENERAL TOLERANCES (UNLESS SPECIFIED)	DIMENSION STYLE	SCALE	DESIGN UNITS	THIRD ANGLE PROJECTION
	▽=0	4 PLACES ± 0.13	MM ONLY	2:1	METRIC	ASSEMBLY, LIGHT PIPE FOR IPASS 26X26 STACKED 2X1
	▽=0	3 PLACES ± 0.25				MOLEX INCORPORATED
	▽=0	1 PLACE ± 0.25				SD-170416-0101
		ANGULAR ±1/2°				
		DRAFT WHERE APPLICABLE MUST REMAIN WITHIN DIMENSIONS				
			SIZE D			



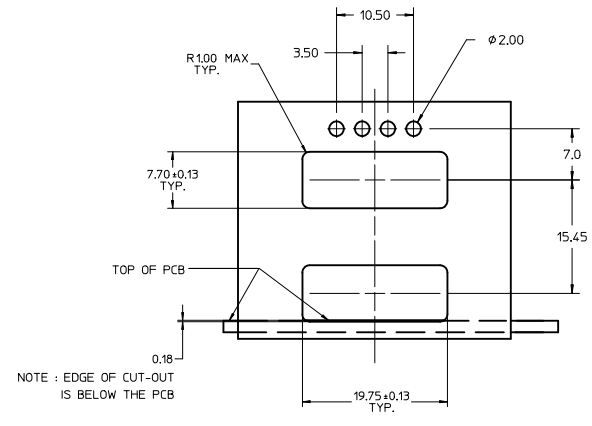
CONNECTOR AS APPLIED TO PCB



LIGHT PIPE ASSEMBLY AS APPLIED TO iPASS CONNECTOR

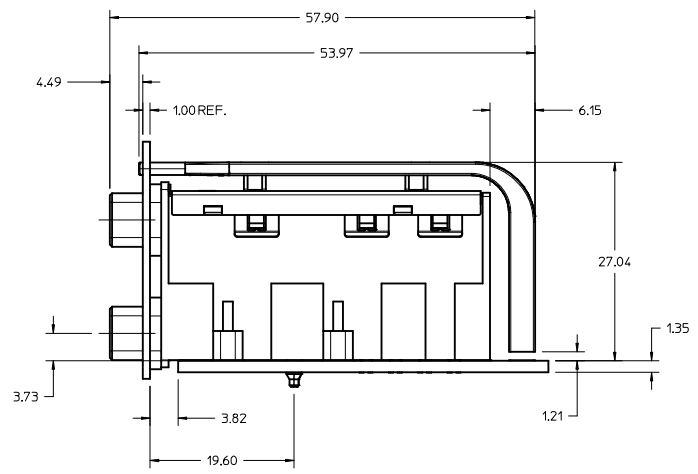


CONNECTOR ASSEMBLY FULLY ASSEMBLED AS INSTALLED IN PANEL

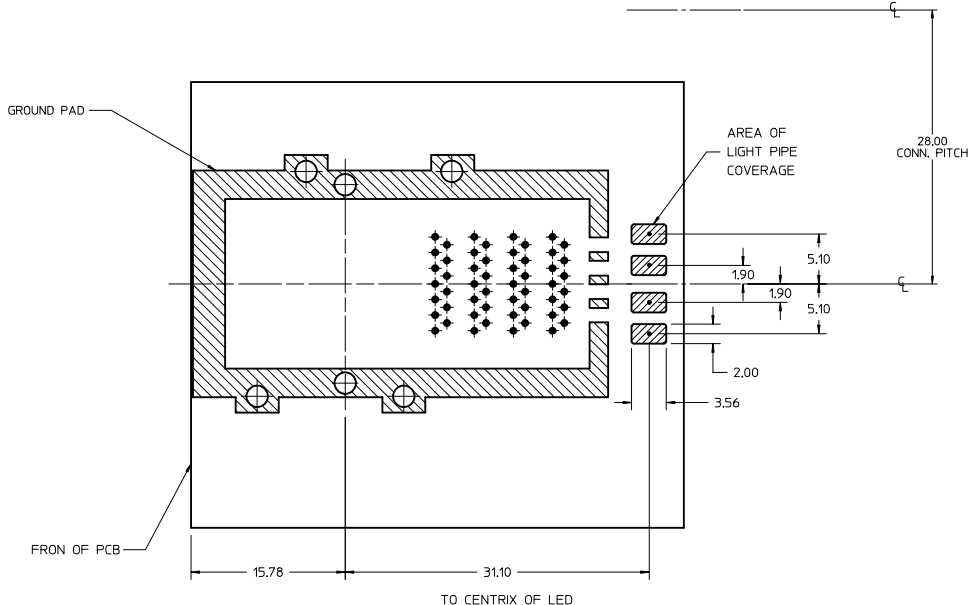


RECOMMENDED MOUNTING PANEL CUT-OUT (SUPPLIED BY CUSTOMER)

MAXIMUM THICKNESS 1.50mm



SEE SHEET 1 IEC NO: UCP2012-063 DRAWN: SBGIEL CHKD: MBANKIS APPR: MBANKIS DATE: 2011/09/19 DATE: 2011/10/20	QUALITY SYMBOLS	GENERAL TOLERANCES (UNLESS SPECIFIED)	DIMENSION STYLE	SCALE	DESIGN UNITS	THIRD ANGLE PROJECTION
	▽=0 ▽=0	mm INCH 4 PLACES ± --- ± --- 3 PLACES ± --- ± --- 2 PLACES ± 0.13 ± --- 1 PLACE ± 0.25 ± --- ANGULAR ± 1/2°	MM ONLY	3:1	METRIC	DRAWN BY: SBGIEL DATE: 2011/09/19 CHECKED BY: DATE:
	DRAFT WHERE APPLICABLE MUST REMAIN WITHIN DIMENSIONS	MATERIAL NO: 75758-010* DOCUMENT NO: SD-170416-0101	APPROVED BY: MBANKIS DATE: 2011/10/20 MOLEX INCORPORATED	TITLE: ASSEMBLY, LIGHT PIPE FOR IPASS 26X26 STACKED 2X1	SHEET NO: 2 OF 3	
	THIS DRAWING CONTAINS INFORMATION THAT IS PROPRIETARY TO MOLEX INCORPORATED AND SHOULD NOT BE USED WITHOUT WRITTEN PERMISSION					



RECOMMENDED PCB LAYOUT

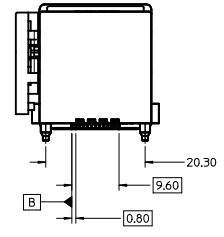
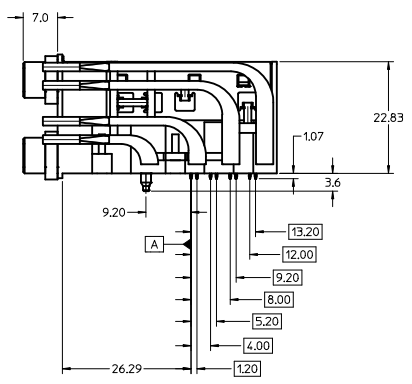
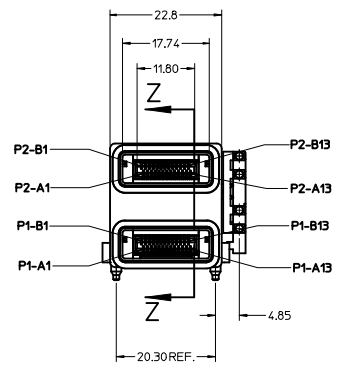
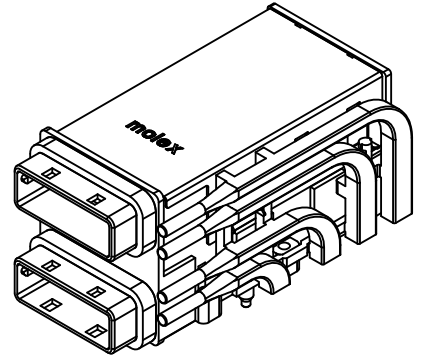
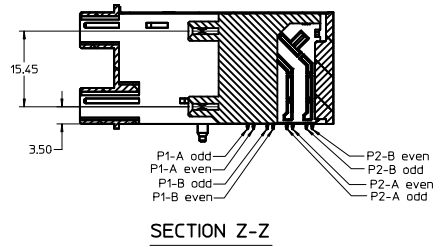
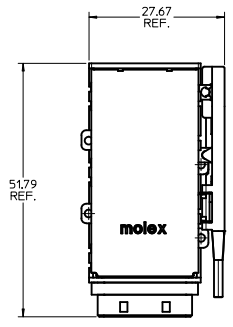
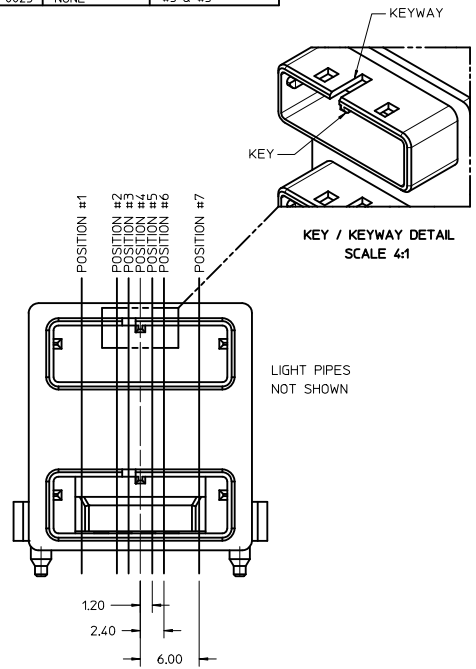
THICKNESS = 1.35mm MIN.

NOTE:
 1. DIMENSIONS SHOWN ARE FOR LED PLACEMENT ONLY.
 SEE SALES DRAWING SD-75758-010 FOR DETAILED
 PCB LAYOUT AND SPECIFICATIONS.

SEE SHEET 1 IEC NO: UCP2012-1063 DRAWN: SBOGIEL CHKD: APPROVED: MBANKIS DATE: 2011/09/19 DATE: 2011/10/20	QUALITY SYMBOLS ▽=0 ▽=0	GENERAL TOLERANCES (UNLESS SPECIFIED) mm INCH 4 PLACES ±.--- ±.--- 3 PLACES ±.--- ±.--- 2 PLACES ±0.13 ±.--- 1 PLACE ±0.25 ±.--- ANGULAR ±1/2°	DIMENSION STYLE MM ONLY	SCALE 2:1	DESIGN UNITS METRIC	THIRD ANGLE PROJECTION
	DRAWN BY SBOGIEL	DATE 2011/09/19	TITLE ASSEMBLY, LIGHT PIPE FOR IPASS 26X26 STACKED 2X1			
	CHECKED BY	DATE	MOLEX INCORPORATED			
	APPROVED BY MBANKIS	DATE 2011/10/20	MATERIAL NO. 75758-010*	DOCUMENT NO. SD-170416-0101	SHEET NO. 3 OF 3	

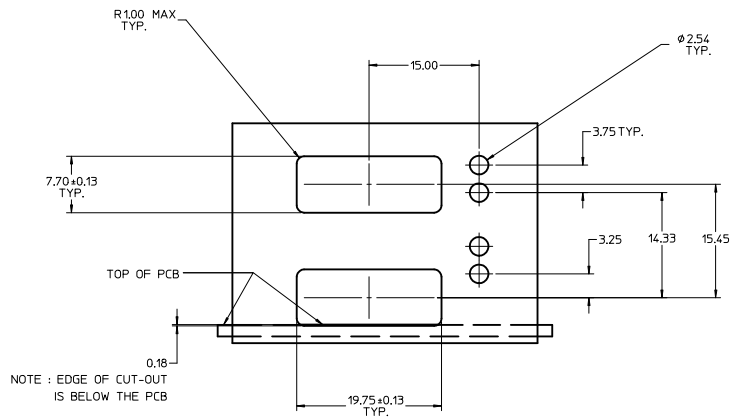
THIS DRAWING CONTAINS INFORMATION THAT IS PROPRIETARY TO MOLEX INCORPORATED AND SHOULD NOT BE USED WITHOUT WRITTEN PERMISSION

KEY/KEYWAY OPTIONS			
PART NUMBER	KEY POSITION	KEYWAY POSITION	
TIN/LEAD	LEAD-FREE		
75758-0001	75758-0021	NONE	NONE
75758-0002	75758-0022	#3	NONE
75758-0003	75758-0023	#4	NONE
75758-0004	75758-0024	#4	#3 & #5
75758-0005	75758-0025	NONE	#3 & #5



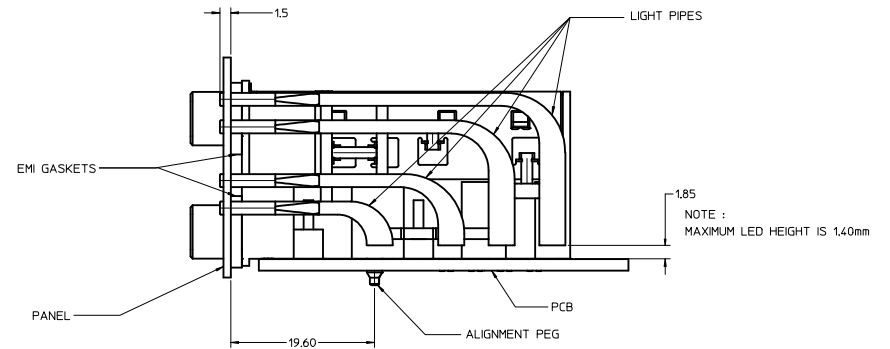
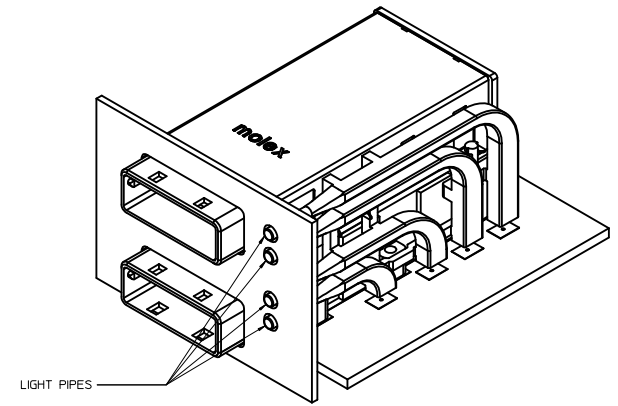
- NOTES :
- MATERIALS :
CONNECTOR HOUSING - HIGH TEMP THERMOPLASTIC,
GLASS-FILLED, UL94V-0,
COLOR - BLACK
EMI HOUSING - DIE CAST ALLOY, NICKEL PLATED FINISH
COVER - STAINLESS STEEL ALLOY
CPI TERMINALS - COPPER ALLOY
EMI GASKETS - CONDUCTIVE POLYMER
LIGHT PIPE - CLEAR THERMOPLASTIC, UL94V-0
 - TERMINAL PLATING :
CONTACT AREA - 0.76µ MIN GOLD OVER 2.54µ MIN NICKEL.
COMPLIANT AREA - 0.76-1.52µ TIN/LEAD (90/10) OVER
2.54µ MIN NICKEL.
 - PACKAGING SPECIFICATION : TRAY PACK IN BOX.
 - REFER TO PS-75586-001 PRODUCT SPEC FOR ALL ELECTRICAL, MECHANICAL
AND ENVIRONMENTAL SPECIFICATIONS.
 - THIS CONNECTOR IS DESIGNED TO MATE WITH MOLEX CABLE SERIES 74548.
 - REQUIRES MOUNTING HARDWARE : (4) M2 X 8MM CAP SCREWS OR EQUIV.
MAX. TORQUE 2.3 in/lbs.

ADD LEAD-FREE # EC NO. UCP2012-1003 DRWNS:SRIGIEL CHKD: APPR:RBANKIS 2011/10/13 2011/10/20	QUALITY SYMBOLS	GENERAL TOLERANCES (UNLESS SPECIFIED)	DIMENSION STYLE	SCALE	DESIGN UNITS	THIRD ANGLE PROJECTION
	∇=0 ∇=0 ∇=0	4 PLACES ± --- INCH 3 PLACES ± --- INCH 2 PLACES ± 0.25 INCH 1 PLACE ± 0.25 INCH ANGULAR ±1/2°	MM ONLY	2:1	METRIC	THIRD ANGLE PROJECTION
	DRAFT WHERE APPLICABLE MUST REMAIN WITHIN DIMENSIONS					
			DRAWN BY: J JANTELEZ10 CHECKED BY: KLANG APPROVED BY: BANAKIS	DATE: 02/05/2008 DATE: 02/05/2008 DATE: 02/05/2008	TITLE: IPASS STACKED 26/26 CIRCUIT CONNECTOR W/LIGHT PIPES	
			MATERIAL NO. 75758-000* SIZE D	DOCUMENT NO. SD-75758-001	MOLEX INCORPORATED SHEET NO. 1 OF 3	



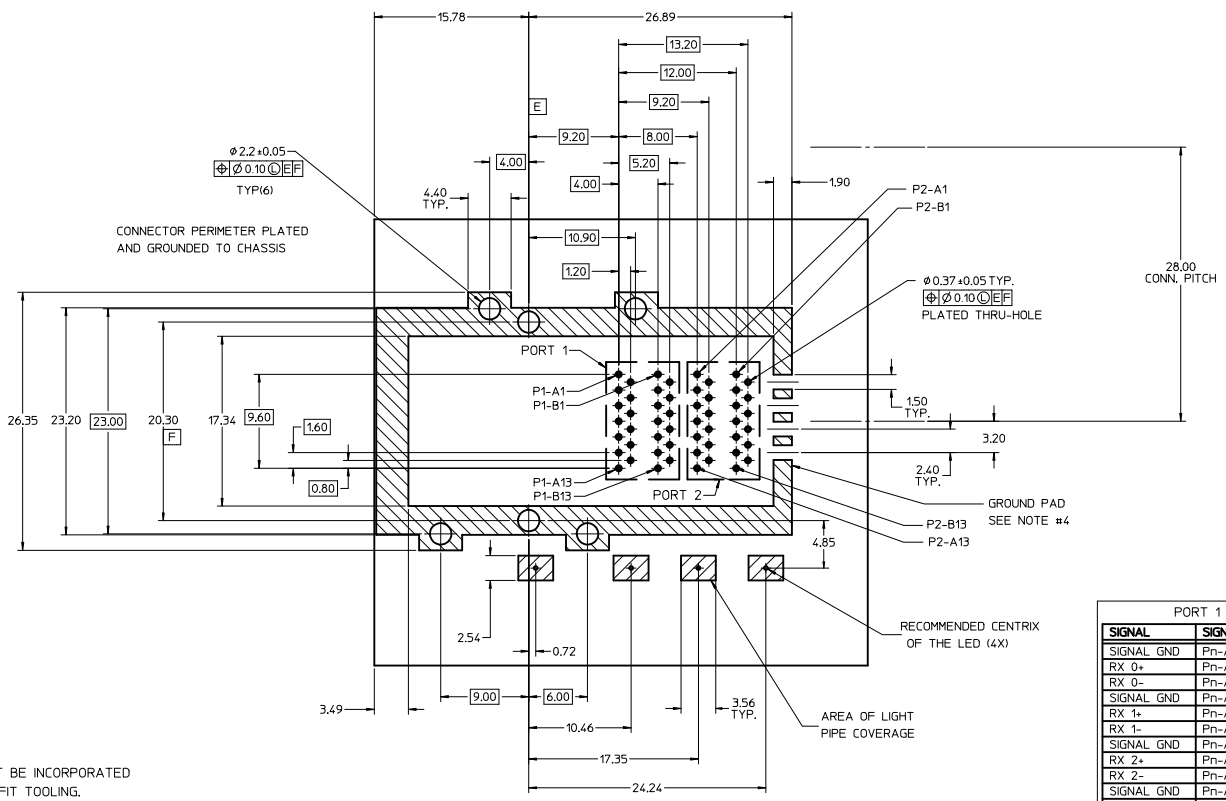
PANEL CUT-OUT

MAXIMUM THICKNESS = 1.50
(NOT SUPPLIED)



ASSEMBLY VIEW

SEE SHEET 1 IEC NO: UCP2012-1063 DRAWN: SROGIEL 2011/10/13 CHKD: APPR: HBANKIS 2011/10/20	QUALITY SYMBOLS	GENERAL TOLERANCES (UNLESS SPECIFIED)	DIMENSION STYLE	SCALE	DESIGN UNITS	THIRD ANGLE PROJECTION
	▽=0	mm INCH	MM ONLY	3:1	METRIC	
	▽=0	4 PLACES ±--- ±---	DRAWN BY DATE			TITLE
	▽=0	3 PLACES ±--- ±---	J JANTELEZIO 02/05/2008			IPASS STACKED 26/26 CIRCUIT CONNECTOR W/LIGHT PIPES
	2 PLACES ±0.25 ±---	CHECKED BY DATE				
	1 PLACE ±0.25 ±---	APPROVED BY DATE				
	ANGULAR ±1/2°	BANKIS 02/05/2008				
	DRAFT WHERE APPLICABLE MUST REMAIN WITHIN DIMENSIONS	MATERIAL NO.				
		75758-000*				
		DOCUMENT NO.				
		SD-75758-001				
		SHEET NO.				
		2 OF 3				
		THIS DRAWING CONTAINS INFORMATION THAT IS PROPRIETARY TO MOLEX INCORPORATED AND SHOULD NOT BE USED WITHOUT WRITTEN PERMISSION				



PORT 1		PORT 2	
SIGNAL	SIGNAL PIN	SIGNAL	SIGNAL PIN
SIGNAL GND	Pn-A1	SIGNAL GND	Pn-B1
RX 0+	Pn-A2	TX 0+	Pn-B2
RX 0-	Pn-A3	TX 0-	Pn-B3
SIGNAL GND	Pn-A4	SIGNAL GND	Pn-B4
RX 1+	Pn-A5	TX 1+	Pn-B5
RX 1-	Pn-A6	TX 1-	Pn-B6
SIGNAL GND	Pn-A7	SIGNAL GND	Pn-B7
RX 2+	Pn-A8	TX 2+	Pn-B8
RX 2-	Pn-A9	TX 2-	Pn-B9
SIGNAL GND	Pn-A10	SIGNAL GND	Pn-B10
RX 3+	Pn-A11	TX 3+	Pn-B11
RX 3-	Pn-A12	TX 3-	Pn-B12
SIGNAL GND	Pn-A13	SIGNAL GND	Pn-B13

PIN ASSIGNMENT

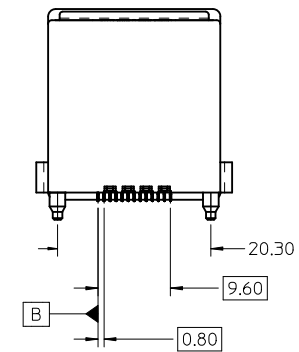
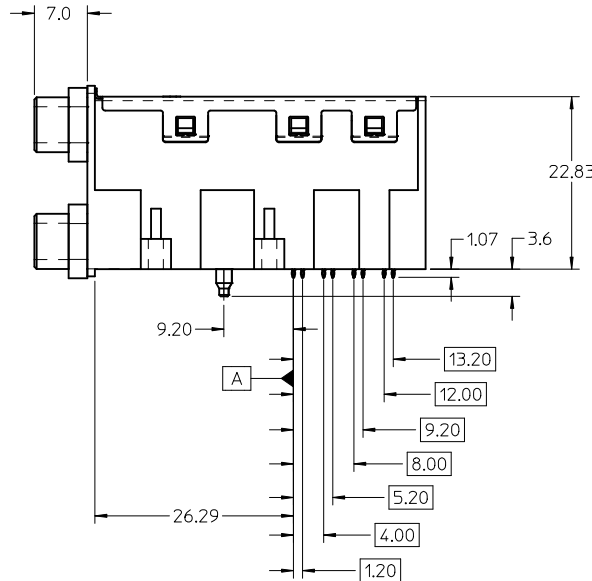
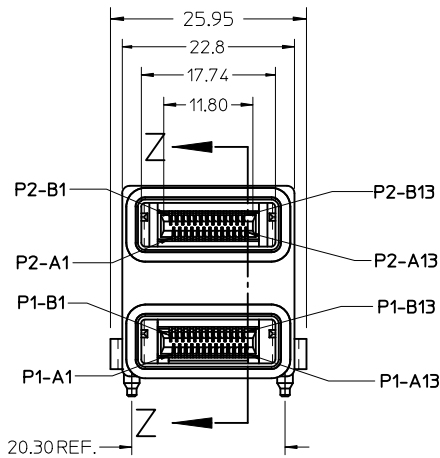
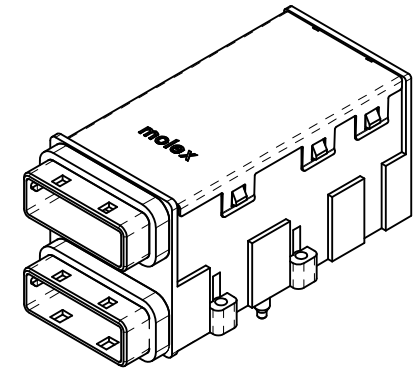
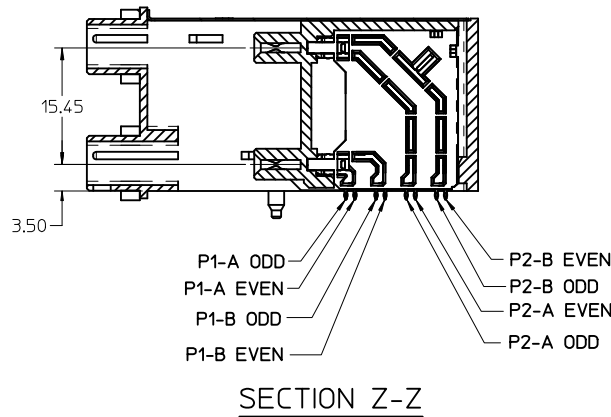
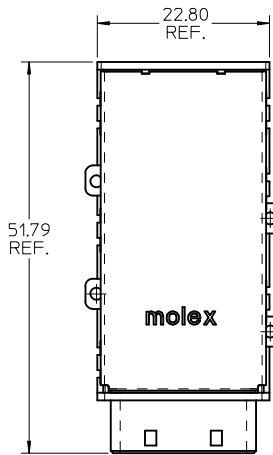
NOTES:

- CROSS-HATCHED AREA MUST BE INCORPORATED IN THE FLAT ROCK PRESS-FIT TOOLING.
- RECOMMENDED LED'S INCLUDE THE FOLLOWING :
DIALIGHT : 597-77x1-5xx SERIES
CHICAGO MINIATURE : 7016 SERIES
KINGBRIGHT : APBL3025 SERIES (BICOLOR)
APL3015 SERIES (SINGLE COLOR)
- LED'S MUST HAVE A MAXIMUM HEIGHT OF 1.4mm AND A MINIMUM HEIGHT OF 0.7mm
- PLATE GROUND PAD WITH EMERSON SILVER OR GOLD.
- RECOMMENDED DRILL SIZE FOR 0.37φ FINISHED PTH IS 0.457φ (#77 DRILL)
- RECOMMENDED ANNULAR RING AROUND 0.37φ FINISHED PTH IS 0.73φ

RECOMMENDED PCB LAYOUT

THICKNESS = 1.35mm MIN.

SEE SHEET 1 EEC NO: UCP2012-1063 DRAWNS:BOGIEL CHKD: APPROVED: BANAKIS DATE: 2011/10/20	QUALITY SYMBOLS	GENERAL TOLERANCES (UNLESS SPECIFIED)	DIMENSION STYLE	SCALE	DESIGN UNITS	THIRD ANGLE PROJECTION	
	▽=0	4 PLACES ± --- ± ---	MM ONLY	2:1	METRIC		
	▽=0	3 PLACES ± --- ± ---					
	▽=0	2 PLACES ± 0.25 ± ---					
		1 PLACE ± 0.25 ± ---					
		ANGULAR ±1/2°					
		DRAFT WHERE APPLICABLE MUST REMAIN WITHIN DIMENSIONS					
			DRAWN BY	DATE	TITLE		
			JJANTELEZ10	02/05/2008	IPASS STACKED 26/26 CIRCUIT CONNECTOR W/LIGHT PIPES		
			CHECKED BY	DATE			
			KLANG	02/05/2008			
			APPROVED BY	DATE			
			BANAKIS	02/05/2008			
			MATERIAL NO.	DOCUMENT NO.			
			75758-000*	SD-75758-001			
			SIZE		SHEET NO.		
			D		3 OF 3		
			THIS DRAWING CONTAINS INFORMATION THAT IS PROPRIETARY TO MOLEX INCORPORATED AND SHOULD NOT BE USED WITHOUT WRITTEN PERMISSION				



NOTES :

1. MATERIALS :

- CONNECTOR HOUSING - HIGH TEMP THERMOPLASTIC, GLASS-FILLED, UL94V-0, COLOR - BLACK
- EMI HOUSING - DIE CAST ALLOY, NICKEL PLATED FINISH
- COVER - STAINLESS STEEL ALLOY
- CPI TERMINALS - COPPER ALLOY
- EMI GASKETS - CONDUCTIVE POLYMER

2. TERMINAL PLATING :

- CONTACT AREA - 0.76μ MIN GOLD OVER 2.54μ MIN NICKEL.
- COMPLIANT AREA - 0.76-1.52μ TIN/LEAD (90/10) OVER 1.27μ MIN NICKEL.

3. PACKAGING SPECIFICATION : TRAY PACK (TBD)

4. REFER TO PS-75586-001 PRODUCT SPEC FOR ALL ELECTRICAL, MECHANICAL AND ENVIRONMENTAL SPECIFICATIONS.

5. THIS CONNECTOR IS DESIGNED TO MATE WITH MOLEX CABLE SERIES 74548.

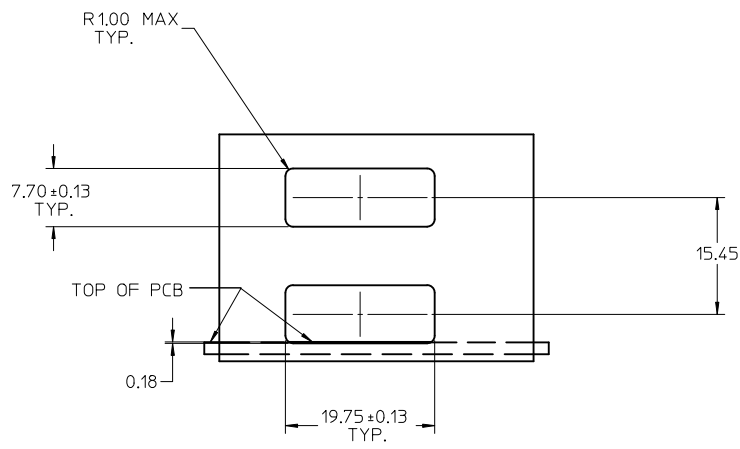
6. REQUIRES MOUNTING HARDWARE : (4) M2 X 8MM CAP SCREWS OR EQUIV. MAX. TORQUE 2.3 in/lbs.

UPD TERM PLATING EC NO: UCP2011-3957 DRWN:GONZALEZ01 2011/06/21 CHKD:KLANG 2011/06/21 APPR:MBANAKIS 2011/07/06	QUALITY SYMBOLS
	= 0 = 0
DESCRIPTION	
REV	

GENERAL TOLERANCES (UNLESS SPECIFIED)	mm	INCH
4 PLACES ± ---	± ---	± ---
3 PLACES ± ---	± ---	± ---
2 PLACES ± 0.25	± ---	± ---
1 PLACE ± 0.25	± ---	± ---
ANGULAR ±1/2°		
DRAFT WHERE APPLICABLE MUST REMAIN WITHIN DIMENSIONS		

DIMENSION STYLE MM ONLY	
DRAWN BY JJANTELEZ10	DATE 01/23/08
CHECKED BY KLANG	DATE 01/23/08
APPROVED BY MBANAKIS	DATE 01/23/08
MATERIAL NO.	
SEE CHART	

SCALE 2:1	DESIGN UNITS METRIC	THIRD ANGLE PROJECTION
TITLE IPASS STACKED 26/26 CIRCUIT CONNECTOR		
MOLEX MOLEX INCORPORATED		SHEET NO. 1 OF 3
DOCUMENT NO. SD-75758-002		
THIS DRAWING CONTAINS INFORMATION THAT IS PROPRIETARY TO MOLEX INCORPORATED AND SHOULD NOT BE USED WITHOUT WRITTEN PERMISSION		

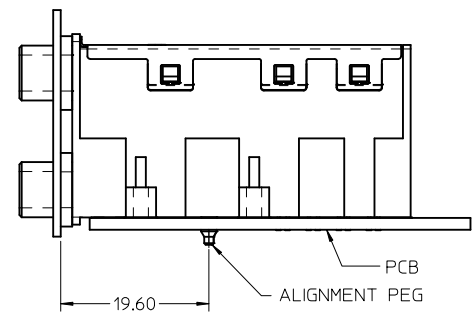
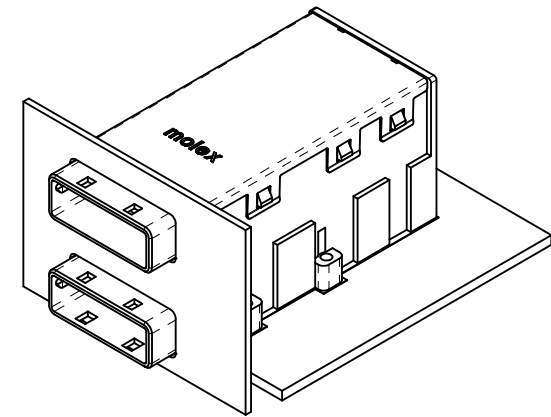


PANEL CUT-OUT

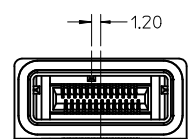
MAXIMUM THICKNESS = 1.50

NOTE : EDGE OF CUT-OUT IS BELOW THE PCB

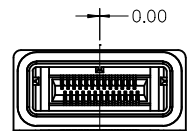
(NOT SUPPLIED)



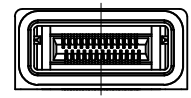
ASSEMBLY VIEW



KEY WAY - 3



KEY WAY - 4



KEY WAY - NONE

KEY WAY OPTIONS

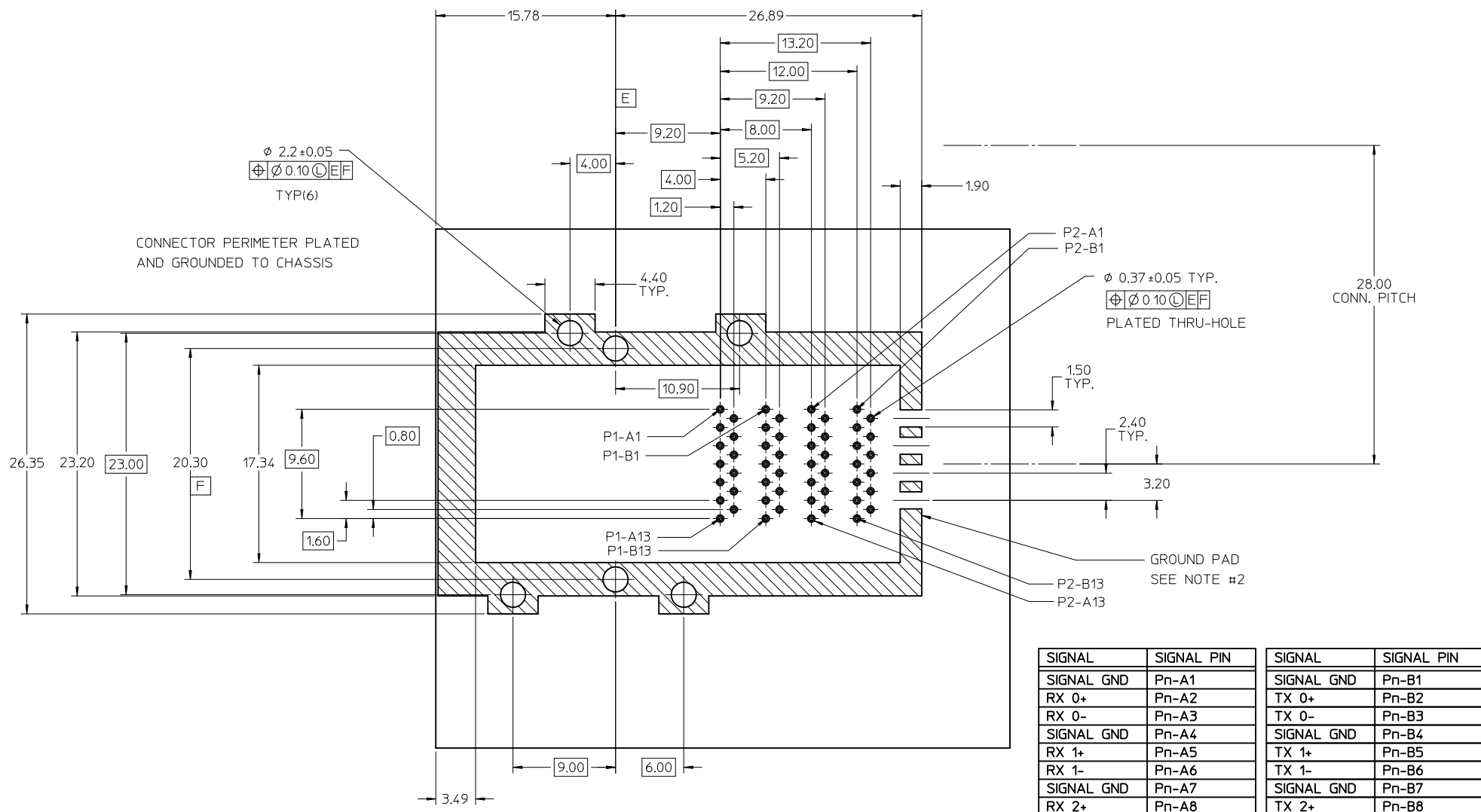
PART NUMBER	KEY WAY
75758-0101	NONE
75758-0102	#3
75758-0103	#4
-	-
-	-
-	-
-	-
-	-
-	-

SEE SHEET 1 EC NO: UCP2011-3957 DRWN: JGONZALEZ01 2011/06/21 CHKD: KLANG 2011/06/21 APPR: MBANAKIS 2011/07/06	REV	DESCRIPTION	QUALITY SYMBOLS
	D		▽=0 ▽=0

GENERAL TOLERANCES (UNLESS SPECIFIED)	
	mm INCH
4 PLACES ± ---	± ---
3 PLACES ± ---	± ---
2 PLACES ± 0.25	± ---
1 PLACE ± 0.25	± ---
ANGULAR ±1/2°	
DRAFT WHERE APPLICABLE MUST REMAIN WITHIN DIMENSIONS	

DIMENSION STYLE	
MM ONLY	
DRAWN BY	DATE
JJANTELEZ10	01/23/08
CHECKED BY	DATE
KLANG	01/23/08
APPROVED BY	DATE
MBANAKIS	01/23/08
MATERIAL NO.	
SEE SHEET 1	

SCALE	DESIGN UNITS	THIRD ANGLE PROJECTION
2:1	METRIC	
TITLE		
IPASS STACKED 26/26 CIRCUIT CONNECTOR		
MOLEX INCORPORATED		SHEET NO.
DOCUMENT NO.		2 OF 3
THIS DRAWING CONTAINS INFORMATION THAT IS PROPRIETARY TO MOLEX INCORPORATED AND SHOULD NOT BE USED WITHOUT WRITTEN PERMISSION		



SIGNAL	SIGNAL PIN	SIGNAL	SIGNAL PIN
SIGNAL GND	Pn-A1	SIGNAL GND	Pn-B1
RX 0+	Pn-A2	TX 0+	Pn-B2
RX 0-	Pn-A3	TX 0-	Pn-B3
SIGNAL GND	Pn-A4	SIGNAL GND	Pn-B4
RX 1+	Pn-A5	TX 1+	Pn-B5
RX 1-	Pn-A6	TX 1-	Pn-B6
SIGNAL GND	Pn-A7	SIGNAL GND	Pn-B7
RX 2+	Pn-A8	TX 2+	Pn-B8
RX 2-	Pn-A9	TX 2-	Pn-B9
SIGNAL GND	Pn-A10	SIGNAL GND	Pn-B10
RX 3+	Pn-A11	TX 3+	Pn-B11
RX 3-	Pn-A12	TX 3-	Pn-B12
SIGNAL GND	Pn-A13	SIGNAL GND	Pn-B13

Pn - 'n' DENOTES PORT NUMBER

- NOTES :
- CROSS-HATCHED AREA MUST BE INCORPORATED IN THE FLAT ROCK PRESS-FIT TOOLING.
 - PLATE GROUND PAD WITH EMERSION SILVER OR GOLD.
 - RECOMMENDED DRILL SIZE FOR 0.37 ϕ FINISHED PTH IS 0.457 ϕ (#77 DRILL)
 - RECOMMENDED ANNULAR RING AROUND 0.37 ϕ FINISHED PTH IS 0.73 ϕ

RECOMMENDED PCB LAYOUT

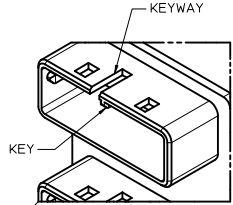
THICKNESS = 1.35mm MIN.

SEE SHEET 1 EC NO: UCP2011-3957 DRWN: JGONZALEZ01 2011/06/21 CHKD: KLANG 2011/06/21 APPR: MBANAKIS 2011/07/06	QUALITY SYMBOLS	GENERAL TOLERANCES (UNLESS SPECIFIED) <table border="1"> <tr> <td></td> <td>mm</td> <td>INCH</td> </tr> <tr> <td>4 PLACES</td> <td>± 0.25</td> <td>± 0.010</td> </tr> <tr> <td>3 PLACES</td> <td>± 0.25</td> <td>± 0.010</td> </tr> <tr> <td>2 PLACES</td> <td>± 0.25</td> <td>± 0.010</td> </tr> <tr> <td>1 PLACE</td> <td>± 0.25</td> <td>± 0.010</td> </tr> </table> ANGULAR ±1/2° DRAFT WHERE APPLICABLE MUST REMAIN WITHIN DIMENSIONS		mm	INCH	4 PLACES	± 0.25	± 0.010	3 PLACES	± 0.25	± 0.010	2 PLACES	± 0.25	± 0.010	1 PLACE	± 0.25	± 0.010
			mm	INCH													
	4 PLACES		± 0.25	± 0.010													
	3 PLACES		± 0.25	± 0.010													
2 PLACES	± 0.25	± 0.010															
1 PLACE	± 0.25	± 0.010															
DESCRIPTION																	
REV																	

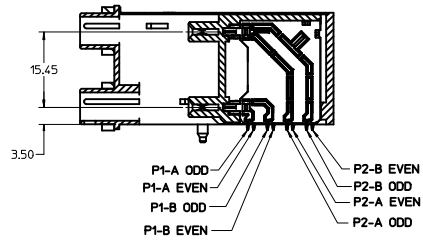
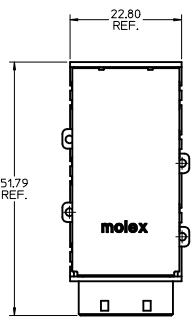
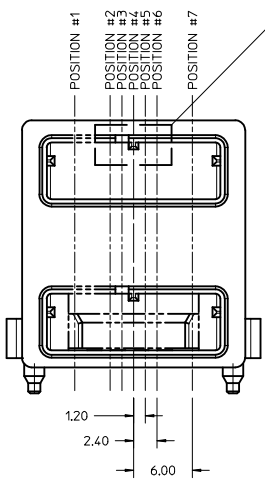
DIMENSION STYLE MM ONLY	SCALE 2:1	DESIGN UNITS METRIC	THIRD ANGLE PROJECTION
DRAWN BY JJANTELEZ10	DATE 01/23/08	TITLE IPASS STACKED 26/26 CIRCUIT CONNECTOR	
CHECKED BY KLANG	DATE 01/23/08	APPROVED BY MBANAKIS	
DATE 01/23/08	DATE 01/23/08	MATERIAL NO. SEE SHEET 1	
DOCUMENT NO. SD-75758-002		SHEET NO. 3 OF 3	

MOLEX INCORPORATED
 THIS DRAWING CONTAINS INFORMATION THAT IS PROPRIETARY TO MOLEX INCORPORATED AND SHOULD NOT BE USED WITHOUT WRITTEN PERMISSION

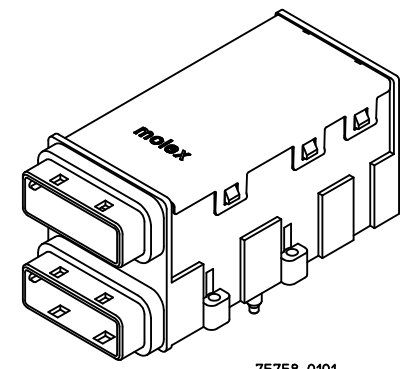
KEYING & PLATING OPTIONS			
TIN/LEAD PART NUMBER	LEAD FREE PART NUMBER	KEY POSITION	KEYWAY POSITION
75758-0101	75758-0201	NONE	NONE
75758-0102	75758-0202	#3	NONE
75758-0103	75758-0203	#4	NONE
75758-0104	75758-0204	#4	#3 & #5
75758-0105	75758-0205	NONE	#3 & #5
75758-0106	75758-0206	#4	#3
75758-0107	75758-0207	NONE	#3
75758-0108	75758-0208	#4	#5
75758-0109	75758-0209	NONE	#5
75758-0110	75758-0210	#2 & #4	NONE
75758-0111	75758-0211	#4 & #6	NONE



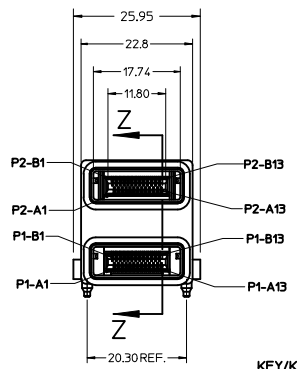
KEY / KEYWAY DETAIL SCALE 4:1



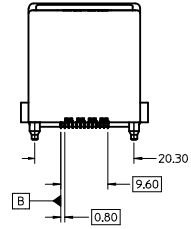
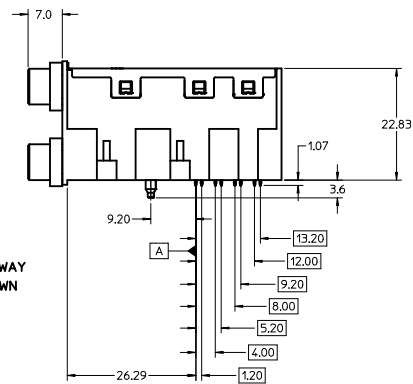
SECTION Z-Z



75758-0101 SHOWN FOR REF. ONLY

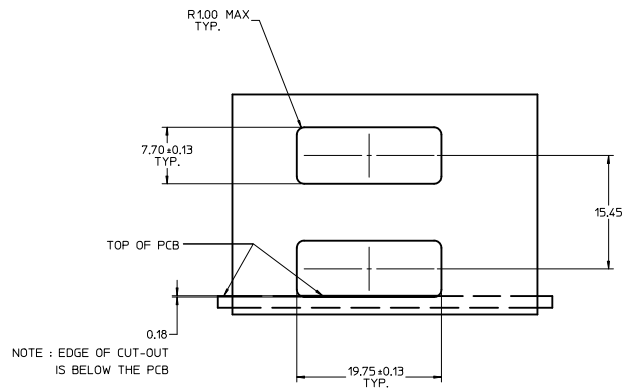


KEY/KEYWAY NOT SHOWN



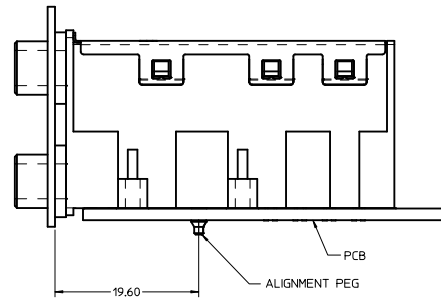
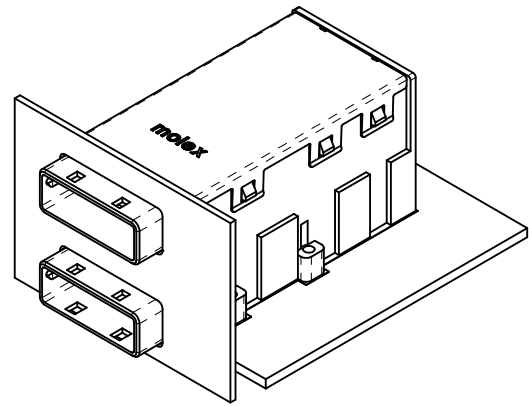
- NOTES :
- MATERIALS :
 - CONNECTOR HOUSING - HIGH TEMP THERMOPLASTIC, GLASS-FILLED, UL94V-0, COLOR - BLACK
 - EMI HOUSING - DIE CAST ALLOY, FINISH: NICKEL
 - COVER - STAINLESS STEEL ALLOY
 - CPI TERMINALS - COPPER ALLOY
 - EMI GASKETS - CONDUCTIVE POLYMER
 - TERMINAL PLATING : SEE CHART
 - OPTION 1) TIN/LEAD - CONTACT AREA - 0.7μ MIN GOLD OVER 2.5μ MIN NICKEL. COMPLIANT AREA - 0.7-1.54mm TIN/LEAD (90/10) OVER 1.24μ MIN NICKEL.
 - OPTION 2) LEAD FREE - CONTACT AREA - 0.7μ MIN GOLD OVER 2.5μ MIN NICKEL. COMPLIANT AREA - 0.7-1.54mm TIN (TIN ONLY) OVER 1.24μ MIN NICKEL.
 - PACKAGING SPECIFICATION : TRAY PACK (TBD)
 - REFER TO PS-75586-001 PRODUCT SPEC FOR ALL ELECTRICAL, MECHANICAL AND ENVIRONMENTAL SPECIFICATIONS.
 - THIS CONNECTOR IS DESIGNED TO MATE WITH MOLEX CABLE SERIES 74548.
 - REQUIRES MOUNTING HARDWARE : (4) M2 X 8MM CAP SCREWS OR EQUIV. MAX. TORQUE 2.3 in/lbs.
 - PRODUCT IS RoHS COMPLIANT.

ADD LEAD-FREE EC NO: UCP2012-1063 DRWNSB04LEL CHKD: APPR:MBANKIS 2011/10/20	QUALITY SYMBOLS ∇=0 ∇=0 ∇=0	GENERAL TOLERANCES (UNLESS SPECIFIED) mm INCH		DIMENSION STYLE MM ONLY	SCALE 2:1	DESIGN UNITS METRIC	THIRD ANGLE PROJECTION	
		4 PLACES ± --- ± --- 3 PLACES ± --- ± --- 2 PLACES ± 0.25 ± --- 1 PLACE ± 0.25 ± --- ANGULAR ±1/2°	DRAWN BY JANTELEZ10 DATE 01/23/08	CHECKED BY KLANG DATE 01/23/08	APPROVED BY MBANKIS DATE 01/23/08	TITLE IPASS STACKED 26/26 CIRCUIT CONNECTOR		MATERIAL NO. 75758-010*
DRAFT WHERE APPLICABLE MUST REMAIN WITHIN DIMENSIONS								THIS DRAWING CONTAINS INFORMATION THAT IS PROPRIETARY TO MOLEX INCORPORATED AND SHOULD NOT BE USED WITHOUT WRITTEN PERMISSION



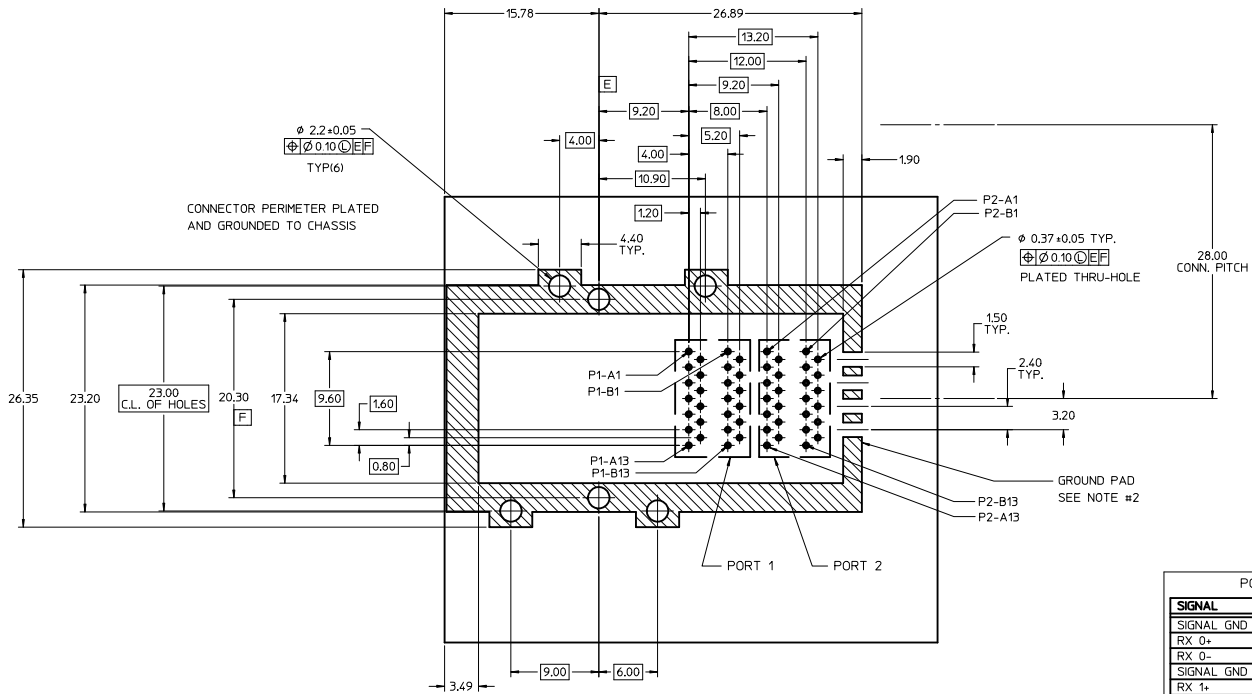
PANEL CUT-OUT

MAXIMUM THICKNESS = 1.50
(NOT SUPPLIED)



ASSEMBLY VIEW

SEE SHEET 1 EC NO: UCP2012-1063 DORWNSB01EL 2011/09/14 CHKD: APPR:MBANKIS 2011/10/20	QUALITY SYMBOLS	GENERAL TOLERANCES (UNLESS SPECIFIED)	DIMENSION STYLE	SCALE	DESIGN UNITS	THIRD ANGLE PROJECTION
	▽=0	mm INCH	MM ONLY	3:1	METRIC	
	▽=0	4 PLACES ±--- ±---	DRAWN BY	DATE	TITLE	
	▽=0	3 PLACES ±--- ±---	JJANTELEZ10	01/23/08	IPASS STACKED 26/26 CIRCUIT CONNECTOR	
▽=0	2 PLACES ±0.25 ±---	CHECKED BY	DATE	MOLEX INCORPORATED MOLEX INCORPORATED		
▽=0	1 PLACE ±0.25 ±---	KLANG	01/23/08			
	ANGULAR ±1/2°	APPROVED BY	DATE	MATERIAL NO.	DOCUMENT NO.	SHEET NO.
	DRAFT WHERE APPLICABLE MUST REMAIN WITHIN DIMENSIONS	MBANKIS	01/23/08	75758-010*	SD-75758-010	2 OF 3
				THIS DRAWING CONTAINS INFORMATION THAT IS PROPRIETARY TO MOLEX INCORPORATED AND SHOULD NOT BE USED WITHOUT WRITTEN PERMISSION		



RECOMMENDED PCB LAYOUT

THICKNESS = 1.35mm MIN.

NOTES:

1. CROSS-HATCHED AREA MUST BE INCORPORATED IN THE FLAT ROCK PRESS-FIT TOOLING.
2. RECOMMENDED LED'S INCLUDE THE FOLLOWING :
 DIALIGHT : 597-77x1-5xx SERIES
 CHICAGO MINIATURE : 7016 SERIES
 KINGBRIGHT : APBL3025 SERIES (BICOLOR)
 APL3015 SERIES (SINGLE COLOR)
3. LED'S MUST HAVE A MAXIMUM HEIGHT OF 1.4mm AND A MINIMUM HEIGHT OF 0.7mm
4. PLATE GROUND PAD WITH EMERSON SILVER OR GOLD.
5. RECOMMENDED DRILL SIZE FOR 0.37Ø FINISHED PTH IS 0.457Ø (#77 DRILL)
6. RECOMMENDED ANNULAR RING AROUND 0.37Ø FINISHED PTH IS 0.73Ø

PORT 1		PORT 2	
SIGNAL	SIGNAL PIN	SIGNAL	SIGNAL PIN
SIGNAL GND	A1	SIGNAL GND	B1
RX 0-	A2	TX 0+	B2
RX 0-	A3	TX 0-	B3
SIGNAL GND	A4	SIGNAL GND	B4
RX 1+	A5	TX 1+	B5
RX 1-	A6	TX 1-	B6
SIGNAL GND	A7	SIGNAL GND	B7
RX 2+	A8	TX 2+	B8
RX 2-	A9	TX 2-	B9
SIGNAL GND	A10	SIGNAL GND	B10
RX 3+	A11	TX 3+	B11
RX 3-	A12	TX 3-	B12
SIGNAL GND	A13	SIGNAL GND	B13

PIN ASSIGNMENT

SEE SHEET 1 EC NO: UCP2012-1063 DRAWNS:BOGIEL 2011/09/14 CHKD: APPROVED:MBANKAKIS 2011/10/20 REV DESCRIPTION	QUALITY SYMBOLS	GENERAL TOLERANCES (UNLESS SPECIFIED)	DIMENSION STYLE	SCALE	DESIGN UNITS	THIRD ANGLE PROJECTION
	▽=0	4 PLACES ± mm ± INCH	MM ONLY	2:1	METRIC	
	▽=0	3 PLACES ± 0.25 ± 0.010				
	▽=0	1 PLACE ± 0.25 ± 0.010				
		ANGULAR ±1/2°				
	DRAFT WHERE APPLICABLE MUST REMAIN WITHIN DIMENSIONS		DRAWN BY JJANTELEZ10	DATE 01/23/08	TITLE IPASS STACKED 26/26 CIRCUIT CONNECTOR	
			CHECKED BY KLANG	DATE 01/23/08	MOLEX INCORPORATED	
			APPROVED BY MBANKAKIS	DATE 01/23/08		
			MATERIAL NO. 75758-010*	DOCUMENT NO. SD-75758-010	SHEET NO. 3 OF 3	
			THIS DRAWING CONTAINS INFORMATION THAT IS PROPRIETARY TO MOLEX INCORPORATED AND SHOULD NOT BE USED WITHOUT WRITTEN PERMISSION			